

CITY OF SELAH

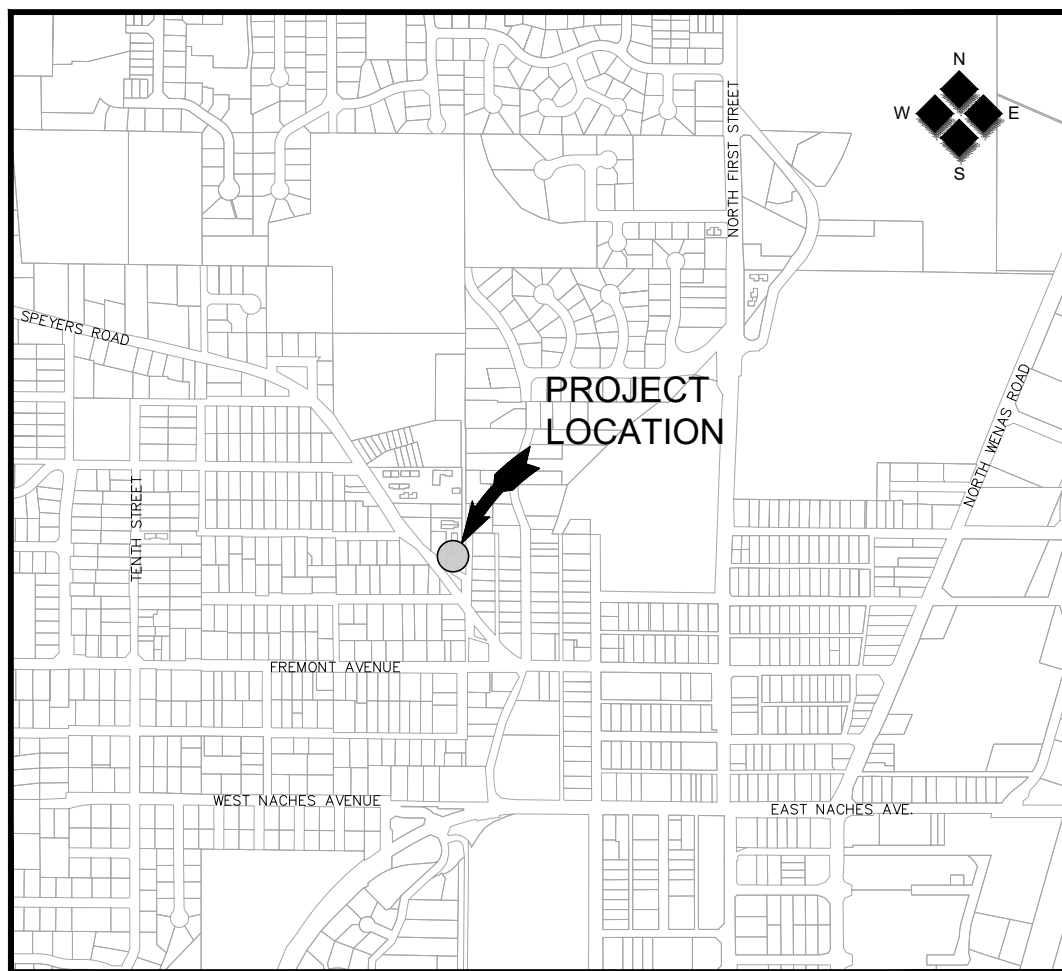
YAKIMA COUNTY

WASHINGTON

WELL 6 AND ZONE 3 BOOSTER PUMP STATION GENERATOR

HLA PROJECT NO. 24067

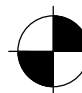
MARCH 2024



VICINITY MAP
NOT TO SCALE

SHEET INDEX

SHEET 1	COVER SHEET
SHEET 2	SITE PLAN
SHEET 3	ELECTRICAL SYMBOL SCHEDULES
SHEET 4	ELECTRICAL SITE PLAN
SHEET 5	ONE LINE DIAGRAMS
SHEET 6	POWER PLAN
SHEET 7	GROUNDING PLAN
SHEET 8	INSTRUMENTATION PLAN
SHEET 9	TCP ELEMENTARY WIRING DIAGRAM
SHEET 10	TCP ELEMENTARY WIRING DIAGRAM

 DATUM ELEVATION
ELEVATIONS BASED ON WASHINGTON STATE
REFERENCE NETWORK (WSRN) NAVD88



Know what's below.
Call before you dig.

LOCATION OF ALL UNDERGROUND UTILITIES SHOWN
HEREON ARE APPROXIMATE AND ARE BASED ON FIELD
LOCATIONS OF ALL VISIBLE STRUCTURES SUCH AS:
CATCH BASINS, MANHOLES, WATER GATES, ETC. AND
COMPILING INFORMATION FROM PLANS SUPPLIED BY
VARIOUS UTILITY COMPANIES. ALL CONTRACTORS
SHOULD CALL 509-248-0202 OR 1-800-424-5555
PRIOR TO ANY EXCAVATION WORK.



2803 River Road
Yakima, WA 98902
509.966.7000
Fax 509.965.3800
www.hlacivil.com



REVISION	DATE

JOB NUMBER: 24067	DATE: 3-10-2025
FILE NAMES: DRAWING: 24067.DWG	
DESIGNED BY:	RJS
ENTERED BY:	KWC

CITY OF SELAH
WELL NO. 6 AND ZONE 3 BOOSTER
PUMP STATION GENERATOR

COVER SHEET

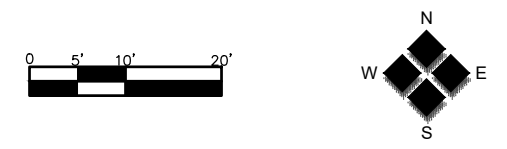
G1

SHEET
1 OF 10

GENERAL NOTES

- ALL CONSTRUCTION SHALL CONFORM TO THE LATEST EDITION OF THE STANDARD SPECIFICATIONS FOR ROAD, BRIDGE, AND MUNICIPAL CONSTRUCTION AS PUBLISHED BY THE WASHINGTON STATE DEPARTMENT OF TRANSPORTATION (WSDOT) AND THE AMERICAN PUBLIC WORKS ASSOCIATION (APWA) AND THE SPECIAL PROVISIONS OF THE CONTRACTING AGENCY.
- THE CONTRACTOR IS ADVISED THAT THE LOCATION AND/OR ELEVATION OF EXISTING UTILITIES SHOWN HEREON ARE BASED UPON UTILITY INFORMATION OF RECORD, INFORMATION PROVIDED TO HLA ENGINEERING & LAND SURVEYING, INC. AND WHERE POSSIBLE MEASUREMENTS TAKEN IN THE FIELD. IT SHALL BE THE CONTRACTOR'S RESPONSIBILITY TO VERIFY PERTINENT LOCATIONS AND ELEVATIONS, ESPECIALLY AT CONNECTION POINTS AND AT POTENTIAL UTILITY CONFLICTS.
- THE CONTRACTOR MUST CALL THE LOCAL UTILITY LOCATION REQUEST CENTER NOT LESS THAN 72 HOURS NOR MORE THAN 10 BUSINESS DAYS BEFORE ANY EXCAVATION, TO REQUEST FIELD LOCATIONS OF UTILITIES. THE TELEPHONE NUMBER FOR THE ONE CALL CENTER FOR THIS PROJECT IS 1-800-424-5555. PRIOR TO CONSTRUCTION, THE CONTRACTOR SHALL VERIFY PERTINENT LOCATIONS AND ELEVATIONS, ESPECIALLY AT THE CONNECTION POINTS AND AT POTENTIAL UTILITY CONFLICTS. IT SHALL BE THE RESPONSIBILITY OF THE CONTRACTOR TO NOTIFY THE ENGINEER IMMEDIATELY WHERE EXISTING UTILITIES ARE FOUND TO CONFLICT WITH PROJECT IMPROVEMENTS. NO ADDITIONAL COMPENSATION WILL BE ALLOWED FOR POTHOLING OR VERIFICATION OF EXISTING UTILITY LOCATIONS.
- ANY DAMAGE TO PUBLIC UTILITIES OR ADJACENT PROPERTIES AS A RESULT OF THE CONSTRUCTION ACTIVITIES SHALL BE THE RESPONSIBILITY OF THE CONTRACTOR. REPAIRS SHALL BE THE RESPONSIBILITY OF THE CONTRACTOR AND SHALL BE MADE IN A TIMELY MANNER TO THE SATISFACTION OF THE DAMAGED PARTY.
- EXCAVATION OF MATERIAL OF WHATEVER NATURE ENCOUNTERED AND DEWATERING FOR ALL UNDERGROUND ITEMS SHALL BE INCIDENTAL TO AND INCLUDED IN THE BID ITEMS. NO SEPARATE PAYMENT FOR ROCK EXCAVATION OR DEWATERING SHALL BE MADE. CONTRACTORS WHO ARE PROSPECTIVE BIDDERS ARE INSTRUCTED TO EXAMINE THE EXCAVATION AREAS TO DETERMINE THE LIKELIHOOD OF ENCOUNTERING ROCK OR WATER TO THEIR OWN SATISFACTION.
- THE CONTRACTOR SHALL REMOVE ALL DEBRIS FROM THE SITE. NO BURNING WILL BE ALLOWED. THE CONTRACTOR SHALL BE REQUIRED TO SECURE AND OPERATE THEIR OWN WASTE DISPOSAL SITE AT THE CONTRACTOR'S OWN EXPENSE FOR THE DISPOSAL OF ALL UNSUITABLE MATERIAL, ASPHALT, CONCRETE, DEBRIS, WASTE MATERIAL, AND ANY OTHER OBJECTIONABLE MATERIAL WHICH IS DIRECTED TO WASTE. THE CONTRACTOR SHALL COMPLY WITH THE STATE OF WASHINGTON REGULATIONS REGARDING DISPOSAL OF WASTE MATERIAL AS OUTLINED IN WAC 173-304, SUBCHAPTER 461.
- AT ALL TIMES DURING CONSTRUCTION, THE CONTRACTOR SHALL BE RESPONSIBLE FOR CONTROLLING ON-SITE EROSION DUE TO WIND AND RUNOFF.
- A PRECONSTRUCTION MEETING WITH THE OWNER, THE ENGINEER, THE CONTRACTOR, AND INTERESTED UTILITY COMPANIES SHALL BE HELD A MINIMUM OF ONE WEEK PRIOR TO BEGINNING CONSTRUCTION. THE OWNER SHALL BE GIVEN 48-HOURS MINIMUM NOTICE PRIOR TO THE START OF WORK.
- THE CONTRACTOR SHALL HAVE ONE (1) SIGNED COPY OF THE APPROVED PLANS, ONE (1) COPY OF THE APPROPRIATE STANDARDS AND SPECIFICATIONS, AND A COPY OF ANY PERMITS NEEDED FOR THE JOB, ON-SITE AT ALL TIMES.
- IF WORKERS ENTER ANY TRENCH OR OTHER EXCAVATION FOUR FEET OR MORE IN DEPTH THAT DOES NOT MEET THE OPEN PIT REQUIREMENTS OF WSDOT/APWA SECTION 2-09.3(3)B, IT SHALL BE SHORED AND CRIBBED. THE CONTRACTOR SHALL BE SOLELY RESPONSIBLE FOR WORKER SAFETY AND THE ENGINEER ASSUMES NO RESPONSIBILITY. ALL TRENCH SAFETY SYSTEMS SHALL MEET THE REQUIREMENTS OF THE WASHINGTON INDUSTRIAL SAFETY AND HEALTH ACT, CHAPTER 49.17 RCW.

- IF, DURING THE CONSTRUCTION PROCESS, CONDITIONS ARE ENCOUNTERED BY THE CONTRACTOR, ITS SUBCONTRACTORS, OR OTHER AFFECTED PARTIES, WHICH COULD INDICATE A SITUATION THAT IS NOT IDENTIFIED IN THE PLANS OR SPECIFICATIONS, THE CONTRACTOR SHALL CONTACT THE ENGINEER IMMEDIATELY.
- THE CONTRACTOR SHALL BE RESPONSIBLE FOR PROVIDING ADEQUATE SAFEGUARDS, SAFETY DEVICES, PROTECTIVE EQUIPMENT, FLAGGERS, AND ANY OTHER ACTIONS NEEDED TO PROTECT THE LIFE, HEALTH, AND SAFETY OF THE PUBLIC, AND TO PROTECT PROPERTY IN CONNECTION WITH THE PERFORMANCE OF WORK COVERED BY THIS CONTRACT. THE CONTRACTOR SHALL BE RESPONSIBLE FOR PROVIDING ANY AND ALL TRAFFIC CONTROL DEVICES AS MAY BE REQUIRED BY THE CONSTRUCTION ACTIVITIES. ALL SECTIONS OF THE WSDOT/APWA STANDARD SPECIFICATIONS SECTION 1-10, TEMPORARY TRAFFIC CONTROL, SHALL APPLY IF WORK WITHIN THE RIGHT OF WAY WILL INTERRUPT NORMAL TRAFFIC OPERATION.
- THE CONTRACTOR SHALL BE RESPONSIBLE FOR KEEPING ROADWAYS FREE AND CLEAR OF ALL CONSTRUCTION DEBRIS AND DIRT TRACKED FROM THE SITE.
- THE CONTRACTOR SHALL BE RESPONSIBLE FOR RECORDING AS-BUILT INFORMATION ON A SET OF RECORD DRAWINGS KEPT AT THE CONSTRUCTION SITE, AND AVAILABLE TO THE OWNER AND ENGINEER AT ALL TIMES. THE CONTRACTOR SHALL DELIVER THESE DRAWINGS TO THE ENGINEER AT THE COMPLETION OF THE WORK.
- THE SPECIFICS OF THE ORDER OF WORK SHALL BE AT THE CONTRACTOR'S OPTION, WITH THE EXCEPTION THAT THE EXISTING GENERATOR RECEPTACLE CANNOT BE REMOVED UNTIL THE NEW GENERATOR IS ON SITE. ALL WORK SHALL BE SCHEDULED SO THAT THE EXISTING BOOSTER STATION CAN REMAIN IN OPERATION TO THE GREATEST EXTENT POSSIBLE. THE SEQUENCE OF CONSTRUCTION AND CONSTRUCTION SCHEDULE PROPOSED BY THE CONTRACTOR SHALL BE SUBMITTED TO THE ENGINEER AND OWNER FOR REVIEW AND APPROVAL PRIOR TO BEGINNING WORK. SEE SECTION 01 33 00 OF THE SPECIFICATIONS FOR ADDITIONAL REQUIREMENTS.
- THE CONTRACTOR SHALL BE RESPONSIBLE FOR SECURING THE WORK SITE AND ANY STORAGE AREAS DURING CONSTRUCTION. THE CONTRACTOR MAY REMOVE EXISTING FENCING AND GATES AS REQUIRED TO COMPLETE ELECTRICAL AND SITE WORK. IF REMOVED, THE CONTRACTOR SHALL PROVIDE TEMPORARY SECURITY FENCING TO PROTECT THE SITE WHEN WORK IS NOT TAKING PLACE. EXISTING SECURITY FENCING AND GATES SHALL BE REINSTALLED FOLLOWING COMPLETION OF THE PROJECT. ANY DAMAGE TO EXISTING FENCING AND GATES SHALL BE REPAIRED AND/OR REPLACED TO THE SATISFACTION OF THE OWNER.
- THE CITY WILL COORDINATE DELIVERY OF THE OWNER-FURNISHED GENERATOR TO THE PROJECT SITE AND PROVIDE A CRANE TO OFFLOAD AND SET THE GENERATOR ON THE NEW CONCRETE PAD. THE CONTRACTOR SHALL CLOSELY COORDINATE THE GENERATOR DELIVERY SCHEDULE WITH THE OWNER AND ASSIST THE OWNER WITH UNPACKAGING AND SETTING OF THE GENERATOR EQUIPMENT UPON ARRIVAL. THE CONTRACTOR SHALL BE RESPONSIBLE FOR THE COST OF TEMPORARY STORAGE, MOVING, AND/OR RESETTING THE OWNER-FURNISHED GENERATOR IF THE CONCRETE PAD, CONDUITS, OR APPURTENANCES ARE NOT PREPARED AND READY TO ACCEPT THE EQUIPMENT.

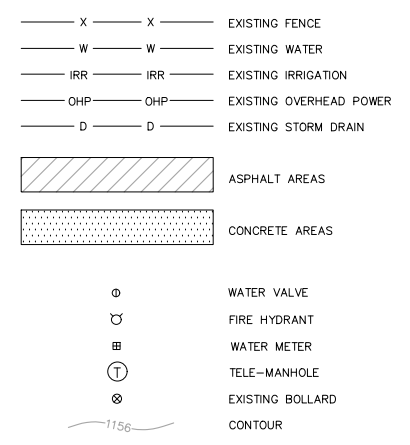


CONSTRUCTION NOTES

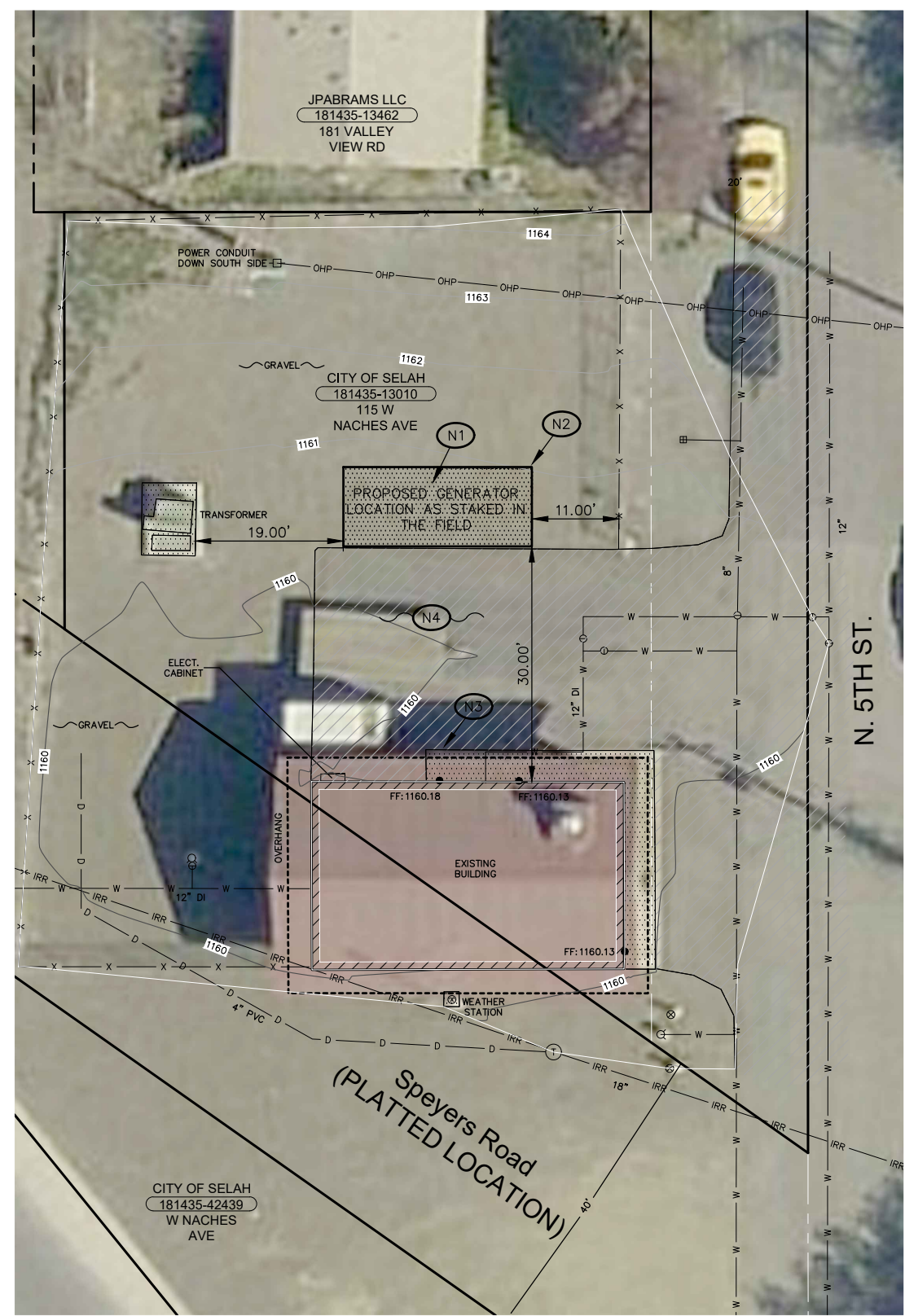
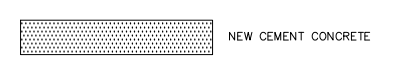
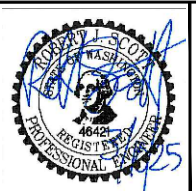
- (N1)** OWNER-FURNISHED, CONTRACTOR INSTALLED 500 KW GENERATOR. SEE ELECTRICAL SHEETS FOR ADDITIONAL INFORMATION.
- (N2)** INSTALL 12" THICK CONCRETE GENERATOR ISOLATION PAD OVER 6" MIN. COMPACTED DEPTH CRUSHED SURFACING BASE COURSE. TOP OF PAD ELEVATION 1072.20 FEET. REINFORCE WITH #5 @ 12" O.C. EACH WAY TOP AND BOTTOM, 3" CLR FROM TOP & BOTTOM. SECURE GENERATOR TO PAD WITH MIN. (8) EA 5/8" DIAM. A36 GALVANIZED ADHESIVE ANCHORS, 6" MIN. EMBEDMENT INTO CONCRETE PAD. SEE GENERATOR MANUFACTURER DRAWING FOR ANCHOR BOLT QUANTITY, SIZE AND LAYOUT.
- (N3)** SEE ELECTRICAL SHEETS FOR ADDITIONAL EXISTING UNDERGROUND CIRCUIT PRESERVATION/PROTECTION REQUIREMENTS.
- (N4)** CONTRACTOR TO PERFORM SURFACE RESTORATION AFTER CONSTRUCTION OF NEW ELECTRICAL CONDUITS.

SITE PLAN LEGEND

EXISTING FEATURES



NEW FEATURES

REVISION	DATE

JOB NUMBER: 24067 DATE: 3-10-2025 FILE NAMES: DRAWING: 24067.DWG DESIGNED BY: RJS ENTERED BY: KWC	CITY OF SELAH WELL NO. 6 AND ZONE 3 BOOSTER PUMP STATION GENERATOR SHEET 2 OF 10
SITE PLAN	

ELECTRICAL GENERAL NOTES	GENERAL ELECTRICAL ACRONYMS AND ABBREVIATIONS	ELEMENTARY WIRING DIAGRAMS SYMBOL SCHEDULE	ONE LINE DIAGRAMS SYMBOL SCHEDULE	ELECTRICAL PLAN DRAWINGS SYMBOL SCHEDULE																																																																																																																																																																																																																																																																																																																																																																																																																																																																																																																														
<p>G01 IN GENERAL, DEVICES SHOWN ON THE ELECTRICAL DRAWINGS IN BACKGROUND (GRAY OR SCREENED) REPRESENT ONE OF THE FOLLOWING UNLESS NOTED OTHERWISE ON AN INDIVIDUAL SHEET:</p> <ul style="list-style-type: none"> STRUCTURAL OR ARCHITECTURAL BUILDING STRUCTURES SUCH AS WALLS, DOORS, STAIRS, ETC. AND STRUCTURAL FRAMING MEMBERS. MECHANICAL EQUIPMENT OR DEVICES SUCH AS HVAC UNITS AND PROCESS EQUIPMENT WHICH ARE SHOWN ON THE MECHANICAL DRAWINGS AND ARE SHOWN IN BACKGROUND (GRAY OR SCREENED) ON THE ELECTRICAL DRAWINGS TO ASSIST IN DETERMINING THE LOCATION OF THE EQUIPMENT, CONNECTIONS AND DEVICES. DISTRIBUTION EQUIPMENT SHOWN ON ELECTRICAL PLAN DRAWINGS (SUCH AS LIGHTING PLANS) IS SHOWN IN BACKGROUND (GRAY OR SCREENED) IN ORDER TO CLARIFY OTHER ELECTRICAL DEVICES AND CIRCUITS SHOWN ON THAT SHEET. EQUIPMENT OR DEVICES THAT ARE EXISTING TO REMAIN (AND TO BE PRESERVED AND PROTECTED) WHERE SHOWN ON REVISED/MODIFICATIONS ELECTRICAL SHEETS. <p>G02 THE EXISTING FUNCTIONS OF THE FACILITY ARE TO REMAIN IN OPERATION AT ALL TIMES. IT IS THE CONTRACTOR'S RESPONSIBILITY TO COORDINATE THE PRESERVATION OF EXISTING ELECTRICAL, INSTRUMENTATION, CONTROL, SIGNALING, COMMUNICATIONS AND ALARM EQUIPMENT, CIRCUITS AND DEVICES WITH ALL OTHER ASPECTS OF THE CONSTRUCTION PROCESS, TO ENSURE THAT ALL EXISTING EQUIPMENT, CIRCUITS AND DEVICES REMAIN IN OPERATION DURING THE COURSE OF CONSTRUCTION. FOR ITEMS THAT ARE SHOWN TO BE DEMOLISHED, THEY SHALL REMAIN IN OPERATION UNTIL NO LONGER REQUIRED FOR THE OPERATION OF THE PLANT.</p> <p>G03 THE ELECTRICAL EQUIPMENT, MATERIALS, DEVICES AND CIRCUITS SHOWN ON THESE DRAWINGS ARE EXISTING TO REMAIN UNLESS OTHERWISE NOTED AS BEING DEMOLISHED OR MODIFIED. THE CONTRACTOR SHALL COORDINATE NEW CONDUIT AND CIRCUIT ROUTING AND ELEVATIONS WITH EXISTING EQUIPMENT, MATERIALS, DEVICES AND CIRCUITS PRIOR TO INSTALLATION. PROVIDE ALL MEANS NECESSARY TO PRESERVE, PROTECT AND KEEP EXISTING EQUIPMENT, MATERIALS, DEVICES AND ELECTRICAL CIRCUITS IN OPERATION DURING THE COURSE OF CONSTRUCTION INCLUDING PROVIDING TEMPORARY CIRCUITS TO ALLOW THEM TO REMAIN IN OPERATION AT ALL TIMES. THE INFORMATION SHOWN FOR EXISTING EQUIPMENT, MATERIALS AND UNDERGROUND OR CONCEALED ELECTRICAL CIRCUITS IS BASED ON AVAILABLE RECORD INFORMATION AND ON SITE SURVEY OF EXPOSED CIRCUITS, AND IS PROVIDED FOR INFORMATION ONLY. PRIOR TO COMMENCING NEW ELECTRICAL WORK OR TRENCHING, VERIFY LOCATIONS AND CONTENTS OF EXISTING EQUIPMENT, MATERIALS, DEVICES AND EXPOSED, CONCEALED OR UNDERGROUND CIRCUITS IN FIELD (BY TONING, X-RAY, EXCAVATION POTHOLING OR OTHER MEANS).</p> <p>G04 THE DRAWINGS ARE NOT INTENDED TO SHOW ALL OF THE EXISTING CONDITIONS. IT IS THE CONTRACTOR'S RESPONSIBILITY TO VISIT THE SITE AND REVIEW EXISTING CONDITIONS PRIOR TO BIDDING. WHERE EXISTING CONDITIONS DIFFER FROM THOSE SHOWN TO THE EXTENT IT WILL IMPACT THE COST OF THE CONTRACTOR'S WORK, THE CONTRACTOR SHALL NOTIFY THE OWNER IN WRITING A MINIMUM OF 10 DAYS PRIOR TO BIDDING.</p> <p>G05 THERE ARE EXISTING AND NEW PROCESS PIPING AND EQUIPMENT INSTALLED/TO BE INSTALLED ON THIS SITE. THE CONTRACTOR SHALL COORDINATE NEW CONDUIT AND CIRCUIT ROUTING AND ELEVATIONS WITH EXISTING EQUIPMENT, PIPING, AND OTHER CONSTRUCTION ACTIVITIES PRIOR TO INSTALLATION. LOCATE EXISTING UNDERGROUND FACILITIES, PRESERVE AND PROTECT THEM DURING CONSTRUCTION AND ROUTE NEW CONDUITS TO AVOID CONFLICTS BY INSTALLING AT DIFFERENT LEVELS OR WHEN APPROVED BY THE ENGINEER, DIFFERENT ROUTING.</p> <p>G06 EXISTING EQUIPMENT, MATERIALS, DEVICES AND CIRCUITS DAMAGED DURING THE COURSE OF CONSTRUCTION SHALL BE IMMEDIATELY REPLACED WITH NEW EQUIPMENT, MATERIALS, DEVICES AND CIRCUITS OF LIKE MATERIALS AT NO ADDITIONAL COST TO THE OWNER.</p> <p>G07 COORDINATE CONDUIT STUB UP LOCATIONS WITH APPROVED EQUIPMENT SHOP DRAWING SUBMITTALS PRIOR TO LOCATING CONDUIT STUB UPS IN THE SLAB. LOCATE CONDUIT STUB UPS PER EQUIPMENT MANUFACTURER'S RECOMMENDATIONS AND THE REQUIREMENTS OF THE DRAWINGS AND SPECIFICATIONS.</p>	<table border="0"> <tr> <td>A</td><td>AMPERE</td> <td>AC</td><td>ALTERNATING CURRENT</td> <td>AFC</td><td>AVAILABLE FAULT CURRENT</td> <td>AF</td><td>ABOVE FINISHED FLOOR</td> <td>AFG</td><td>ABOVE FINISHED GRADE</td> <td>AHJ</td><td>AUTHORITY HAVING JURISDICTION</td> <td>AI</td><td>ANALOG INPUT</td> <td>AL</td><td>ALUMINUM</td> <td>ATS</td><td>AUTOMATIC TRANSFER SWITCH</td> <td>AWG</td><td>AMERICAN WIRE GAUGE</td> <td>BKR</td><td>BREAKER</td> <td>C</td><td>CONDUIT</td> <td>CP</td><td>CONTROL PANEL</td> <td>CPT</td><td>CONTROL POWER TRANSFORMER</td> <td>CR</td><td>CONTROL RELAY</td> <td>CT</td><td>CURRENT TRANSFORMER</td> <td>CU</td><td>COPPER</td> <td>DC</td><td>DIRECT CURRENT</td> <td>EMT</td><td>ELECTRICAL METALLIC TUBING</td> <td>ENCL</td><td>ENCLOSURE</td> <td>ENT</td><td>ELECTRICAL NONMETALLIC TUBING</td> <td>EWD</td><td>ELEMENTARY WIRING DIAGRAM</td> <td>FMC</td><td>FLEXIBLE METAL CONDUIT</td> <td>FJ</td><td>FUSE</td> <td>FVNR</td><td>FULL VOLTAGE NON REVERSING</td> <td>G</td><td>GROUNDING CONDUCTOR</td> <td>GCPUD</td><td>GRANT COUNTY PUBLIC UTILITY DISTRICT</td> <td>GFP</td><td>GROUND FAULT PROTECTOR</td> <td>GND</td><td>GROUND</td> <td>HP</td><td>HORSEPOWER</td> <td>IC</td><td>INTERRUPTING CAPACITY</td> <td>ISR</td><td>INTRINSICALLY SAFE RELAY</td> <td>KA</td><td>KILO AMPERES</td> <td>KAIC</td><td>KILO AMPERES INTERRUPTING CAPACITY</td> <td>KCMIL</td><td>THOUSAND CIRCULAR MILLS</td> <td>KV</td><td>KILOVOLT</td> <td>KVA</td><td>KILOVOLT-AMPERE</td> <td>KW</td><td>KILOWATT</td> <td>KWH</td><td>KILOWATT-HOUR</td> <td>LFCM</td><td>LIQUIDTIGHT FLEXIBLE METAL CONDUIT</td> <td>LNR</td><td>LINE REACTOR</td> <td>LPU</td><td>LINE PROTECTION UNIT</td> <td>LSI</td><td>LONG, SHORT, INTEGRAL</td> <td>LSIG</td><td>LONG, SHORT, INTEGRAL, GROUND FAULT</td> <td>LT</td><td>LIGHT</td> <td>M</td><td>MAGNETIC CONTACTOR</td> <td>mA</td><td>MILLIAMPERES</td> <td>MCP</td><td>MOTOR CURRENT PROTECTOR - MAGNETIC ONLY CIRCUIT BREAKER</td> <td>MLO</td><td>MAIN LUGS ONLY</td> <td>MTS</td><td>MANUAL TRANSFER SWITCH</td> <td>mV</td><td>MILLIVOLT</td> <td>MW</td><td>MEGAWATT</td> <td>N</td><td>NEUTRAL CONDUCTOR</td> <td>NAC</td><td>NOTIFICATION APPLIANCE CIRCUIT</td> <td>NEC</td><td>NATIONAL ELECTRICAL CODE</td> <td>NEMA</td><td>NATIONAL ELECTRICAL MANUFACTURERS ASSOCIATION.</td> <td>NESC</td><td>NATIONAL ELECTRICAL SAFETY CODE</td> <td>OC</td><td>OVERCURRENT PROTECTOR</td> <td>OCFI</td><td>OWNER FURNISHED CONTRACTOR INSTALLED</td> <td>OI</td><td>OPERATOR INTERFACE</td> <td>OL</td><td>OVERLOAD</td> <td>P</td><td>POLE</td> <td>PF</td><td>POWER FACTOR</td> <td>PH</td><td>PHASE</td> <td>PLC</td><td>PROGRAMMABLE LOGIC CONTROLLER</td> <td>POT</td><td>POTENTIOMETER</td> <td>PRMC</td><td>PVC COATED RIGID METALLIC (STEEL) CONDUIT</td> <td>PS</td><td>POWER SUPPLY</td> <td>PV</td><td>PHOTOVOLTAIC</td> <td>PVC</td><td>POLYVINYL CHLORIDE</td> <td>RMC</td><td>RIGID METAL (STEEL) CONDUIT</td> <td>RNC</td><td>RIGID NON-METALLIC CONDUIT</td> <td>RPM</td><td>REVOLUTIONS PER MINUTE</td> <td>RS485</td><td>SERIAL RS485 CABLE</td> <td>RTRC</td><td>REINFORCED THERMOSETTING RESIN CONDUIT</td> <td>SEC</td><td>SECOND</td> <td>SHLD</td><td>SHIELDED</td> <td>SPD</td><td>SURGE PROTECTIVE DEVICE</td> <td>SS</td><td>SELECTOR SWITCH</td> <td>STP</td><td>SHIELDED TWISTED PAIR</td> <td>SUSE</td><td>SUITABLE FOR USE AS SERVICE ENTRANCE</td> <td>TB</td><td>TERMINAL BLOCK</td> <td>TR</td><td>TIMING RELAY</td> <td>UPS</td><td>UNINTERRUPTIBLE POWER SUPPLY</td> <td>UTP</td><td>UNSHIELDED TWISTED PAIR</td> <td>V</td><td>VOLT</td> <td>VA</td><td>VOLT AMPERE</td> <td>VAC</td><td>VOLTS ALTERNATING CURRENT</td> <td>VFD</td><td>VARIABLE FREQUENCY DRIVE</td> <td>VR</td><td>VOLTAGE MONITORING RELAY</td> <td>W</td><td>WATT</td> <td>WH</td><td>WATT HOUR</td> <td>WP</td><td>WEATHER PROOF</td> </tr> </table>	A	AMPERE	AC	ALTERNATING CURRENT	AFC	AVAILABLE FAULT CURRENT	AF	ABOVE FINISHED FLOOR	AFG	ABOVE FINISHED GRADE	AHJ	AUTHORITY HAVING JURISDICTION	AI	ANALOG INPUT	AL	ALUMINUM	ATS	AUTOMATIC TRANSFER SWITCH	AWG	AMERICAN WIRE GAUGE	BKR	BREAKER	C	CONDUIT	CP	CONTROL PANEL	CPT	CONTROL POWER TRANSFORMER	CR	CONTROL RELAY	CT	CURRENT TRANSFORMER	CU	COPPER	DC	DIRECT CURRENT	EMT	ELECTRICAL METALLIC TUBING	ENCL	ENCLOSURE	ENT	ELECTRICAL NONMETALLIC TUBING	EWD	ELEMENTARY WIRING DIAGRAM	FMC	FLEXIBLE METAL CONDUIT	FJ	FUSE	FVNR	FULL VOLTAGE NON REVERSING	G	GROUNDING CONDUCTOR	GCPUD	GRANT COUNTY PUBLIC UTILITY DISTRICT	GFP	GROUND FAULT PROTECTOR	GND	GROUND	HP	HORSEPOWER	IC	INTERRUPTING CAPACITY	ISR	INTRINSICALLY SAFE RELAY	KA	KILO AMPERES	KAIC	KILO AMPERES INTERRUPTING CAPACITY	KCMIL	THOUSAND CIRCULAR MILLS	KV	KILOVOLT	KVA	KILOVOLT-AMPERE	KW	KILOWATT	KWH	KILOWATT-HOUR	LFCM	LIQUIDTIGHT FLEXIBLE METAL CONDUIT	LNR	LINE REACTOR	LPU	LINE PROTECTION UNIT	LSI	LONG, SHORT, INTEGRAL	LSIG	LONG, SHORT, INTEGRAL, GROUND FAULT	LT	LIGHT	M	MAGNETIC CONTACTOR	mA	MILLIAMPERES	MCP	MOTOR CURRENT PROTECTOR - MAGNETIC ONLY CIRCUIT BREAKER	MLO	MAIN LUGS ONLY	MTS	MANUAL TRANSFER SWITCH	mV	MILLIVOLT	MW	MEGAWATT	N	NEUTRAL CONDUCTOR	NAC	NOTIFICATION APPLIANCE CIRCUIT	NEC	NATIONAL ELECTRICAL CODE	NEMA	NATIONAL ELECTRICAL MANUFACTURERS ASSOCIATION.	NESC	NATIONAL ELECTRICAL SAFETY CODE	OC	OVERCURRENT PROTECTOR	OCFI	OWNER FURNISHED CONTRACTOR INSTALLED	OI	OPERATOR INTERFACE	OL	OVERLOAD	P	POLE	PF	POWER FACTOR	PH	PHASE	PLC	PROGRAMMABLE LOGIC CONTROLLER	POT	POTENTIOMETER	PRMC	PVC COATED RIGID METALLIC (STEEL) CONDUIT	PS	POWER SUPPLY	PV	PHOTOVOLTAIC	PVC	POLYVINYL CHLORIDE	RMC	RIGID METAL (STEEL) CONDUIT	RNC	RIGID NON-METALLIC CONDUIT	RPM	REVOLUTIONS PER MINUTE	RS485	SERIAL RS485 CABLE	RTRC	REINFORCED THERMOSETTING RESIN CONDUIT	SEC	SECOND	SHLD	SHIELDED	SPD	SURGE PROTECTIVE DEVICE	SS	SELECTOR SWITCH	STP	SHIELDED TWISTED PAIR	SUSE	SUITABLE FOR USE AS SERVICE ENTRANCE	TB	TERMINAL BLOCK	TR	TIMING RELAY	UPS	UNINTERRUPTIBLE POWER SUPPLY	UTP	UNSHIELDED TWISTED PAIR	V	VOLT	VA	VOLT AMPERE	VAC	VOLTS ALTERNATING CURRENT	VFD	VARIABLE FREQUENCY DRIVE	VR	VOLTAGE MONITORING RELAY	W	WATT	WH	WATT HOUR	WP	WEATHER PROOF	<table border="0"> <tr> <th>SYMBOL</th><th>DESCRIPTION</th> <th>SYMBOL</th><th>DESCRIPTION</th> </tr> <tr> <td></td><td>PANEL OR DEVICE WIRING</td> <td></td><td>DEVICE OR EQUIPMENT TERMINAL</td> </tr> <tr> <td></td><td>FIELD WIRING</td> <td></td><td>WIRING CONNECTED</td> </tr> <tr> <td></td><td>EQUIPMENT/DEVICE ENCLOSURE</td> <td></td><td>BUS</td> </tr> <tr> <td></td><td>WIRING CONNECTED</td> <td></td><td>WIRING</td> </tr> <tr> <td></td><td>WIRING NOT CONNECTED</td> <td></td><td>EQUIPMENT/DEVICE ENCLOSURE</td> </tr> <tr> <td></td><td>DEVICE OR EQUIPMENT TERMINAL</td> <td></td><td>PLUG-IN CONNECTION</td> </tr> <tr> <td></td><td>CONTROL PANEL TERMINAL</td> <td></td><td>NON-AUTOMATIC BREAKER</td> </tr> <tr> <td></td><td>MOTOR CONTROLLER TERMINAL</td> <td></td><td>THERMAL MAGNETIC CIRCUIT BREAKER</td> </tr> <tr> <td></td><td>TRANSFORMER WINDING</td> <td></td><td>MAGNETIC ONLY CIRCUIT BREAKER (MOTOR CIRCUIT PROTECTOR)</td> </tr> <tr> <td></td><td>FUSE</td> <td></td><td>SWITCH</td> </tr> <tr> <td></td><td>GROUND</td> <td></td><td>CONTACTOR</td> </tr> <tr> <td></td><td>ARC SUPPRESSOR (METAL OXIDE VARISTOR)</td> <td></td><td>THERMAL OVERLOAD</td> </tr> <tr> <td></td><td>DIODE</td> <td></td><td>FUSE</td> </tr> <tr> <td colspan="2">CONTACTBLOCK OPERATORS</td> <td></td><td>POWER TRANSFORMER</td> </tr> <tr> <td></td><td>"HAND OFF AUTO" GROUND SELECTOR SWITCH (1SS,2SS,ETC.) "X" = CLOSED IN THIS POSITION</td> <td></td><td>CONTROL POWER TRANSFORMER</td> </tr> <tr> <td></td><td>"OFF-ON" OFF-ON SELECTOR SWITCH (1SS,2SS,ETC.) "X" = CLOSED IN THIS POSITION ARROW POSITION DENOTES OPEN/CLOSED STATUS (SHOWN IN "OPEN" POSITION)</td> <td></td><td>CURRENT TRANSFORMER</td> </tr> <tr> <td></td><td>"RESET OFF ON" SELECTOR SWITCH (1SS,2SS,ETC.) "X" = CLOSED IN THIS POSITION "O" = SPRING RETURN (FROM "RESET" TO "OFF" POSITION AS SHOWN)</td> <td></td><td>GROUND CONNECTION</td> </tr> <tr> <td colspan="2">CONTACTS</td> <td></td><td>TRANSFER SWITCH</td> </tr> <tr> <td></td><td>N.O. SINGLE BREAK CONTACTS</td> <td></td><td>WATT-HOUR METER (REVENUE METERING)</td> </tr> <tr> <td></td><td>N.C. DOUBLE BREAK CONTACTS (CONTACT BLOCKS)</td> <td></td><td>VOLTAGE RELAY</td> </tr> <tr> <td colspan="2">RELAY CONTACTS</td> <td></td><td>GENERATOR</td> </tr> <tr> <td></td><td>N.O. INSTANTANEOUS CONTACT OF RELAY (1CR, 2CR, ETC.)</td> <td></td><td>TAP BLOCK</td> </tr> <tr> <td></td><td>N.C. INSTANTANEOUS CONTACT OF RELAY (1CR, 2CR, ETC.)</td> <td></td><td>SOLID NEUTRAL</td> </tr> <tr> <td></td><td>XXCR TIMED DELAY CONTACT OF RELAY (DELAY ON ENERGIZATION-ON DELAY) (1TR, 2TR, ETC.)</td> <td></td><td>MOTOR</td> </tr> <tr> <td></td><td>XXTR TIMED DELAY CONTACT OF RELAY (DELAY ON DE-ENERGIZATION-OFF DELAY) (1TR, 2TR, ETC.)</td> <td></td><td>LIMIT SWITCH</td> </tr> <tr> <td></td><td>XXOL OVERLOAD RELAY (1OL, 2OL, ETC.)</td> <td></td><td>FLOAT SWITCH</td> </tr> <tr> <td colspan="2">MECHANICALLY ACTUATED SWITCHES</td> <td></td><td>PRESSURE SWITCH</td> </tr> <tr> <td></td><td>N.O. PRESSURE SWITCH (1PS, 2PS, ETC.)</td> <td></td><td>THERMOSTAT/TEMPERATURE SWITCH</td> </tr> <tr> <td></td><td>N.C. PRESSURE SWITCH (1PS, 2PS, ETC.)</td> <td></td><td>SOLENOID VALVE</td> </tr> <tr> <td></td><td>XXTAS TEMPERATURE ACTUATED SWITCH (THERMOSTAT) (1TAS, 2TAS, ETC.)</td> <td></td><td>CONTROL STATION/PUSHBUTTON/ SPEED POTENTIOMETER</td> </tr> <tr> <td></td><td>XXLS FREE LIMIT SWITCHES (1LS, 2LS, ETC.)</td> <td></td><td>LOAD BREAK FUSE HOLDER AND FUSE</td> </tr> <tr> <td></td><td>XXLS HELD LIMIT SWITCHES (1LS, 2LS, ETC.)</td> <td></td><td>SAFETY DISCONNECT (NEMA 4X ENCLOSURE UNLESS OTHERWISE NOTED)</td> </tr> <tr> <td colspan="2">MAGNETIC COILS</td> <td></td><td>AUXILIARY CONTACT NON-SWITCHED CONDUCTOR</td> </tr> <tr> <td></td><td>XXCR CONTROL RELAY (1CR, 2CR, ETC.)</td> <td></td><td>LENS COLOR CODE A = AMBER G = GREEN R = RED W = WHITE Y = YELLOW</td> </tr> <tr> <td></td><td>XXTR TIMED DELAY RELAY (1CR, 2CR, ETC.)</td> <td></td><td>LED TYPE (1LT, 2LT, ETC.)</td> </tr> <tr> <td></td><td>XXM MAGNETIC CONTACTOR (1CON, 2CON, ETC.)</td> <td></td><td>LED "PUSH-TO-TEST" (CONNECT TEST CIRCUIT TO LINE) (1LT, 2LT, ETC.)</td> </tr> <tr> <td></td><td>XXS SOLENOID (1SV, 2SV, ETC.) (FOR VALVE UNLESS OTHERWISE NOTED)</td> <td></td><td></td> </tr> <tr> <td></td><td>CP-1LT LED "PUSH-TO-TEST" (CONNECT TEST CIRCUIT TO LINE) (1LT, 2LT, ETC.)</td> <td></td><td></td> </tr> </table>	SYMBOL	DESCRIPTION	SYMBOL	DESCRIPTION		PANEL OR DEVICE WIRING		DEVICE OR EQUIPMENT TERMINAL		FIELD WIRING		WIRING CONNECTED		EQUIPMENT/DEVICE ENCLOSURE		BUS		WIRING CONNECTED		WIRING		WIRING NOT CONNECTED		EQUIPMENT/DEVICE ENCLOSURE		DEVICE OR EQUIPMENT TERMINAL		PLUG-IN CONNECTION		CONTROL PANEL TERMINAL		NON-AUTOMATIC BREAKER		MOTOR CONTROLLER TERMINAL		THERMAL MAGNETIC CIRCUIT BREAKER		TRANSFORMER WINDING		MAGNETIC ONLY CIRCUIT BREAKER (MOTOR CIRCUIT PROTECTOR)		FUSE		SWITCH		GROUND		CONTACTOR		ARC SUPPRESSOR (METAL OXIDE VARISTOR)		THERMAL OVERLOAD		DIODE		FUSE	CONTACTBLOCK OPERATORS			POWER TRANSFORMER		"HAND OFF AUTO" GROUND SELECTOR SWITCH (1SS,2SS,ETC.) "X" = CLOSED IN THIS POSITION		CONTROL POWER TRANSFORMER		"OFF-ON" OFF-ON SELECTOR SWITCH (1SS,2SS,ETC.) "X" = CLOSED IN THIS POSITION ARROW POSITION DENOTES OPEN/CLOSED STATUS (SHOWN IN "OPEN" POSITION)		CURRENT TRANSFORMER		"RESET OFF ON" SELECTOR SWITCH (1SS,2SS,ETC.) "X" = CLOSED IN THIS POSITION "O" = SPRING RETURN (FROM "RESET" TO "OFF" POSITION AS SHOWN)		GROUND CONNECTION	CONTACTS			TRANSFER SWITCH		N.O. SINGLE BREAK CONTACTS		WATT-HOUR METER (REVENUE METERING)		N.C. DOUBLE BREAK CONTACTS (CONTACT BLOCKS)		VOLTAGE RELAY	RELAY CONTACTS			GENERATOR		N.O. INSTANTANEOUS CONTACT OF RELAY (1CR, 2CR, ETC.)		TAP BLOCK		N.C. INSTANTANEOUS CONTACT OF RELAY (1CR, 2CR, ETC.)		SOLID NEUTRAL		XXCR TIMED DELAY CONTACT OF RELAY (DELAY ON ENERGIZATION-ON DELAY) (1TR, 2TR, ETC.)		MOTOR		XXTR TIMED DELAY CONTACT OF RELAY (DELAY ON DE-ENERGIZATION-OFF DELAY) (1TR, 2TR, ETC.)		LIMIT SWITCH		XXOL OVERLOAD RELAY (1OL, 2OL, ETC.)		FLOAT SWITCH	MECHANICALLY ACTUATED SWITCHES			PRESSURE SWITCH		N.O. PRESSURE SWITCH (1PS, 2PS, ETC.)		THERMOSTAT/TEMPERATURE SWITCH		N.C. PRESSURE SWITCH (1PS, 2PS, ETC.)		SOLENOID VALVE		XXTAS TEMPERATURE ACTUATED SWITCH (THERMOSTAT) (1TAS, 2TAS, ETC.)		CONTROL STATION/PUSHBUTTON/ SPEED POTENTIOMETER		XXLS FREE LIMIT SWITCHES (1LS, 2LS, ETC.)		LOAD BREAK FUSE HOLDER AND FUSE		XXLS HELD LIMIT SWITCHES (1LS, 2LS, ETC.)		SAFETY DISCONNECT (NEMA 4X ENCLOSURE UNLESS OTHERWISE NOTED)	MAGNETIC COILS			AUXILIARY CONTACT NON-SWITCHED CONDUCTOR		XXCR CONTROL RELAY (1CR, 2CR, ETC.)		LENS COLOR CODE A = AMBER G = GREEN R = RED W = WHITE Y = YELLOW		XXTR TIMED DELAY RELAY (1CR, 2CR, ETC.)		LED TYPE (1LT, 2LT, ETC.)		XXM MAGNETIC CONTACTOR (1CON, 2CON, ETC.)		LED "PUSH-TO-TEST" (CONNECT TEST CIRCUIT TO LINE) (1LT, 2LT, ETC.)		XXS SOLENOID (1SV, 2SV, ETC.) (FOR VALVE UNLESS OTHERWISE NOTED)				CP-1LT LED "PUSH-TO-TEST" (CONNECT TEST CIRCUIT TO LINE) (1LT, 2LT, ETC.)			<table border="0"> <tr> <th>SYMBOL</th><th>DESCRIPTION</th> </tr> <tr> <td></td><td>DEVICE OR EQUIPMENT TERMINAL</td> </tr> <tr> <td></td><td>WIRING CONNECTED</td> </tr> <tr> <td></td><td>BUS</td> </tr> <tr> <td></td><td>WIRING</td> </tr> <tr> <td></td><td>EQUIPMENT/DEVICE ENCLOSURE</td> </tr> <tr> <td></td><td>PLUG-IN CONNECTION</td> </tr> <tr> <td></td><td>NON-AUTOMATIC BREAKER</td> </tr> <tr> <td></td><td>THERMAL MAGNETIC CIRCUIT BREAKER</td> </tr> <tr> <td></td><td>MAGNETIC ONLY CIRCUIT BREAKER (MOTOR CIRCUIT PROTECTOR)</td> </tr> <tr> <td></td><td>SWITCH</td> </tr> <tr> <td></td><td>CONTACTOR</td> </tr> <tr> <td></td><td>THERMAL OVERLOAD</td> </tr> <tr> <td></td><td>FUSE</td> </tr> <tr> <td></td><td>POWER TRANSFORMER</td> </tr> <tr> <td></td><td>CONTROL POWER TRANSFORMER</td> </tr> <tr> <td></td><td>CURRENT TRANSFORMER</td> </tr> <tr> <td></td><td>GROUND CONNECTION</td> </tr> <tr> <td></td><td>TRANSFER SWITCH</td> </tr> <tr> <td></td><td>WATT-HOUR METER (REVENUE METERING)</td> </tr> <tr> <td></td><td>VOLTAGE RELAY</td> </tr> <tr> <td></td><td>GENERATOR</td> </tr> <tr> <td></td><td>TAP BLOCK</td> </tr> <tr> <td></td><td>SOLID NEUTRAL</td> </tr> <tr> <td></td><td>MOTOR</td> </tr> <tr> <td></td><td>LIMIT SWITCH</td> </tr> <tr> <td></td><td>FLOAT SWITCH</td> </tr> <tr> <td></td><td>PRESSURE SWITCH</td> </tr> <tr> <td></td><td>THERMOSTAT/TEMPERATURE SWITCH</td> </tr> <tr> <td></td><td>SOLENOID VALVE</td> </tr> <tr> <td></td><td>CONTROL STATION/PUSHBUTTON/ SPEED POTENTIOMETER</td> </tr> <tr> <td></td><td>LOAD BREAK FUSE HOLDER AND FUSE</td> </tr> <tr> <td></td><td>SAFETY DISCONNECT (NEMA 4X ENCLOSURE UNLESS OTHERWISE NOTED)</td> </tr> <tr> <td></td><td>AUXILIARY CONTACT NON-SWITCHED CONDUCTOR</td> </tr> </table>	SYMBOL	DESCRIPTION		DEVICE OR EQUIPMENT TERMINAL		WIRING CONNECTED		BUS		WIRING		EQUIPMENT/DEVICE ENCLOSURE		PLUG-IN CONNECTION		NON-AUTOMATIC BREAKER		THERMAL MAGNETIC CIRCUIT BREAKER		MAGNETIC ONLY CIRCUIT BREAKER (MOTOR CIRCUIT PROTECTOR)		SWITCH		CONTACTOR		THERMAL OVERLOAD		FUSE		POWER TRANSFORMER		CONTROL POWER TRANSFORMER		CURRENT TRANSFORMER		GROUND CONNECTION		TRANSFER SWITCH		WATT-HOUR METER (REVENUE METERING)		VOLTAGE RELAY		GENERATOR		TAP BLOCK		SOLID NEUTRAL		MOTOR		LIMIT SWITCH		FLOAT SWITCH		PRESSURE SWITCH		THERMOSTAT/TEMPERATURE SWITCH		SOLENOID VALVE		CONTROL STATION/PUSHBUTTON/ SPEED POTENTIOMETER		LOAD BREAK FUSE HOLDER AND FUSE		SAFETY DISCONNECT (NEMA 4X ENCLOSURE UNLESS OTHERWISE NOTED)		AUXILIARY CONTACT NON-SWITCHED CONDUCTOR	<table border="0"> <tr> <th colspan="2">POWER DISTRIBUTION AND CONTROL</th> </tr> <tr> <td></td><td>DISTRIBUTION/CONTROL EQUIPMENT - FLOOR MOUNTED</td> </tr> <tr> <td></td><td>DISTRIBUTION/CONTROL EQUIPMENT - WALL MOUNTED</td> </tr> <tr> <td></td><td>PANELBOARD - WALL MOUNTED</td> </tr> <tr> <td></td><td>SWITCH (SAFETY OR DISCONNECT) MOTOR STARTER WITH SWITCH OR BREAKER (COMBINATION MAGNETIC STARTER)</td> </tr> <tr> <th colspan="2">LIGHTING FIXTURES</th> </tr> <tr> <td></td><td>ROUND FIXTURE CEILING MOUNTED (RECESSED, SURFACE, OR PENDANT)</td> </tr> <tr> <td></td><td>LIGHTING FIXTURE POLE ARM MOUNTED</td> </tr> <tr> <td></td><td>LIGHTING FIXTURE POLE TOP MOUNTED</td> </tr> <tr> <td></td><td>FIXTURE WALL MOUNTED (RECESSED, SURFACE OR ARM)</td> </tr> <tr> <td></td><td>FLUORESCENT LED LINEAR FIXTURE CEILING MOUNTED (RECESSED, SURFACE OR PENDANT)</td> </tr> <tr> <td></td><td>EXIT LIGHT FIXTURE</td> </tr> <tr> <th colspan="2">SWITCHING</th> </tr> <tr> <td></td><td>SINGLE POLE SWITCH - WALL MOUNTED DESIGNATIONS</td> </tr> <tr> <td>E</td><td>EXISTING SWITCH</td> </tr> <tr> <td>M</td><td>MOTOR RATED SWITCH</td> </tr> <tr> <td>3</td><td>THREE WAY SWITCH</td> </tr> <tr> <td>P</td><td>SWITCH W/ PILOT LIGHT</td> </tr> <tr> <td>4</td><td>FOUR WAY SWITCH</td> </tr> <tr> <td>T</td><td>TIME SWITCH</td> </tr> <tr> <td>K</td><td>KEY OPERATED SWITCH</td> </tr> <tr> <td>a</td><td>LOWER CASE = SWITCH LEG</td> </tr> <tr> <td colspan="2">ANY COMBINATION OF THE ABOVE DESIGNATIONS MAY BE SHOWN ON PLANS</td> </tr> <tr> <th colspan="2">RECEPTACLE OUTLETS</th> </tr> <tr> <td></td><td>DUPLEX RECEPTACLE OUTLET - WALL MOUNTED (NEMA 5-15R UNLESS OTHERWISE SPECIFIED)</td> </tr> <tr> <td></td><td>DUPLEX RECEPTACLE OUTLET - WALL MOUNTED (NEMA 5-15R UNLESS OTHERWISE SPECIFIED)</td> </tr> <tr> <td></td><td>DUPLEX RECEPTACLE OUTLET - CEILING MOUNTED (NEMA 5-15R UNLESS OTHERWISE SPECIFIED)</td> </tr> <tr> <td></td><td>SPECIAL PURPOSE RECEPTACLE OUTLET</td> </tr> <tr> <td></td><td>SPECIAL PURPOSE RECEPTACLE OUTLET - WALL MOUNTED</td> </tr> <tr> <th colspan="2">SPECIAL PURPOSE CONNECTIONS</th> </tr> <tr> <td></td><td>SPECIAL PURPOSE EQUIPMENT CONNECTION</td> </tr> <tr> <td></td><td>SPECIAL PURPOSE EQUIPMENT CONNECTION - WALL MOUNTED</td> </tr> <tr> <th colspan="2">MECHANICALLY ACTUATED SWITCHES</th> </tr> <tr> <td></td><td>FLOAT SWITCH</td> </tr> <tr> <td></td><td>LEVEL TRANSDUCER</td> </tr> <tr> <td></td><td>PRESSURE SWITCH</td> </tr> <tr> <td></td><td>PHOTO ELECTRIC SWITCH (PHOTOCELL) - WALL MOUNTED</td> </tr> <tr> <td></td><td>LIMIT SWITCH</td> </tr> <tr> <th colspan="2">GENERAL WIRING SYMBOLS</th> </tr> <tr> <td></td><td>JUNCTION BOX</td> </tr> <tr> <td></td><td>JUNCTION BOX - WALL MOUNTED</td> </tr> <tr> <td></td><td>WIRING RUN EXPOSED ON BUILDING OR STRUCTURE UNLESS OTHERWISE NOTED ON DRAWINGS</td> </tr> <tr> <td></td><td>WIRING RUN CONCEALED UNDER SLAB OR BELOW GRADE UNLESS OTHERWISE NOTED ON DRAWINGS</td> </tr> <tr> <td></td><td>INDICATES WIRE SIZE IF OTHER THAN #12AWG</td> </tr> <tr> <td></td><td>CROSSMARKS INDICATE QUANTITY AND USE OF CONDUCTORS</td> </tr> <tr> <td></td><td>NEUTRAL CONDUCTOR</td> </tr> <tr> <td></td><td>GROUNDING CONDUCTOR</td> </tr> <tr> <td></td><td>ARROWHEAD INDICATES HOMERUN TO EQUIPMENT/DEVICE NOTED AT END OF ARROWHEAD, NUMBER (WHERE NOTED) INDICATES CIRCUIT WITHIN EQUIPMENT/DEVICE NOTED.</td> </tr> <tr> <td></td><td>CONDUIT TURN UP</td> </tr> <tr> <td></td><td>CONDUIT TURN DOWN</td> </tr> </table>	POWER DISTRIBUTION AND CONTROL			DISTRIBUTION/CONTROL EQUIPMENT - FLOOR MOUNTED		DISTRIBUTION/CONTROL EQUIPMENT - WALL MOUNTED		PANELBOARD - WALL MOUNTED		SWITCH (SAFETY OR DISCONNECT) MOTOR STARTER WITH SWITCH OR BREAKER (COMBINATION MAGNETIC STARTER)	LIGHTING FIXTURES			ROUND FIXTURE CEILING MOUNTED (RECESSED, SURFACE, OR PENDANT)		LIGHTING FIXTURE POLE ARM MOUNTED		LIGHTING FIXTURE POLE TOP MOUNTED		FIXTURE WALL MOUNTED (RECESSED, SURFACE OR ARM)		FLUORESCENT LED LINEAR FIXTURE CEILING MOUNTED (RECESSED, SURFACE OR PENDANT)		EXIT LIGHT FIXTURE	SWITCHING			SINGLE POLE SWITCH - WALL MOUNTED DESIGNATIONS	E	EXISTING SWITCH	M	MOTOR RATED SWITCH	3	THREE WAY SWITCH	P	SWITCH W/ PILOT LIGHT	4	FOUR WAY SWITCH	T	TIME SWITCH	K	KEY OPERATED SWITCH	a	LOWER CASE = SWITCH LEG	ANY COMBINATION OF THE ABOVE DESIGNATIONS MAY BE SHOWN ON PLANS		RECEPTACLE OUTLETS			DUPLEX RECEPTACLE OUTLET - WALL MOUNTED (NEMA 5-15R UNLESS OTHERWISE SPECIFIED)		DUPLEX RECEPTACLE OUTLET - WALL MOUNTED (NEMA 5-15R UNLESS OTHERWISE SPECIFIED)		DUPLEX RECEPTACLE OUTLET - CEILING MOUNTED (NEMA 5-15R UNLESS OTHERWISE SPECIFIED)		SPECIAL PURPOSE RECEPTACLE OUTLET		SPECIAL PURPOSE RECEPTACLE OUTLET - WALL MOUNTED	SPECIAL PURPOSE CONNECTIONS			SPECIAL PURPOSE EQUIPMENT CONNECTION		SPECIAL PURPOSE EQUIPMENT CONNECTION - WALL MOUNTED	MECHANICALLY ACTUATED SWITCHES			FLOAT SWITCH		LEVEL TRANSDUCER		PRESSURE SWITCH		PHOTO ELECTRIC SWITCH (PHOTOCELL) - WALL MOUNTED		LIMIT SWITCH	GENERAL WIRING SYMBOLS			JUNCTION BOX		JUNCTION BOX - WALL MOUNTED		WIRING RUN EXPOSED ON BUILDING OR STRUCTURE UNLESS OTHERWISE NOTED ON DRAWINGS		WIRING RUN CONCEALED UNDER SLAB OR BELOW GRADE UNLESS OTHERWISE NOTED ON DRAWINGS		INDICATES WIRE SIZE IF OTHER THAN #12AWG		CROSSMARKS INDICATE QUANTITY AND USE OF CONDUCTORS		NEUTRAL CONDUCTOR		GROUNDING CONDUCTOR		ARROWHEAD INDICATES HOMERUN TO EQUIPMENT/DEVICE NOTED AT END OF ARROWHEAD, NUMBER (WHERE NOTED) INDICATES CIRCUIT WITHIN EQUIPMENT/DEVICE NOTED.		CONDUIT TURN UP		CONDUIT TURN DOWN
A	AMPERE	AC	ALTERNATING CURRENT	AFC	AVAILABLE FAULT CURRENT	AF	ABOVE FINISHED FLOOR	AFG	ABOVE FINISHED GRADE	AHJ	AUTHORITY HAVING JURISDICTION	AI	ANALOG INPUT	AL	ALUMINUM	ATS	AUTOMATIC TRANSFER SWITCH	AWG	AMERICAN WIRE GAUGE	BKR	BREAKER	C	CONDUIT	CP	CONTROL PANEL	CPT	CONTROL POWER TRANSFORMER	CR	CONTROL RELAY	CT	CURRENT TRANSFORMER	CU	COPPER	DC	DIRECT CURRENT	EMT	ELECTRICAL METALLIC TUBING	ENCL	ENCLOSURE	ENT	ELECTRICAL NONMETALLIC TUBING	EWD	ELEMENTARY WIRING DIAGRAM	FMC	FLEXIBLE METAL CONDUIT	FJ	FUSE	FVNR	FULL VOLTAGE NON REVERSING	G	GROUNDING CONDUCTOR	GCPUD	GRANT COUNTY PUBLIC UTILITY DISTRICT	GFP	GROUND FAULT PROTECTOR	GND	GROUND	HP	HORSEPOWER	IC	INTERRUPTING CAPACITY	ISR	INTRINSICALLY SAFE RELAY	KA	KILO AMPERES	KAIC	KILO AMPERES INTERRUPTING CAPACITY	KCMIL	THOUSAND CIRCULAR MILLS	KV	KILOVOLT	KVA	KILOVOLT-AMPERE	KW	KILOWATT	KWH	KILOWATT-HOUR	LFCM	LIQUIDTIGHT FLEXIBLE METAL CONDUIT	LNR	LINE REACTOR	LPU	LINE PROTECTION UNIT	LSI	LONG, SHORT, INTEGRAL	LSIG	LONG, SHORT, INTEGRAL, GROUND FAULT	LT	LIGHT	M	MAGNETIC CONTACTOR	mA	MILLIAMPERES	MCP	MOTOR CURRENT PROTECTOR - MAGNETIC ONLY CIRCUIT BREAKER	MLO	MAIN LUGS ONLY	MTS	MANUAL TRANSFER SWITCH	mV	MILLIVOLT	MW	MEGAWATT	N	NEUTRAL CONDUCTOR	NAC	NOTIFICATION APPLIANCE CIRCUIT	NEC	NATIONAL ELECTRICAL CODE	NEMA	NATIONAL ELECTRICAL MANUFACTURERS ASSOCIATION.	NESC	NATIONAL ELECTRICAL SAFETY CODE	OC	OVERCURRENT PROTECTOR	OCFI	OWNER FURNISHED CONTRACTOR INSTALLED	OI	OPERATOR INTERFACE	OL	OVERLOAD	P	POLE	PF	POWER FACTOR	PH	PHASE	PLC	PROGRAMMABLE LOGIC CONTROLLER	POT	POTENTIOMETER	PRMC	PVC COATED RIGID METALLIC (STEEL) CONDUIT	PS	POWER SUPPLY	PV	PHOTOVOLTAIC	PVC	POLYVINYL CHLORIDE	RMC	RIGID METAL (STEEL) CONDUIT	RNC	RIGID NON-METALLIC CONDUIT	RPM	REVOLUTIONS PER MINUTE	RS485	SERIAL RS485 CABLE	RTRC	REINFORCED THERMOSETTING RESIN CONDUIT	SEC	SECOND	SHLD	SHIELDED	SPD	SURGE PROTECTIVE DEVICE	SS	SELECTOR SWITCH	STP	SHIELDED TWISTED PAIR	SUSE	SUITABLE FOR USE AS SERVICE ENTRANCE	TB	TERMINAL BLOCK	TR	TIMING RELAY	UPS	UNINTERRUPTIBLE POWER SUPPLY	UTP	UNSHIELDED TWISTED PAIR	V	VOLT	VA	VOLT AMPERE	VAC	VOLTS ALTERNATING CURRENT	VFD	VARIABLE FREQUENCY DRIVE	VR	VOLTAGE MONITORING RELAY	W	WATT	WH	WATT HOUR	WP	WEATHER PROOF																																																																																																																																																																																																																																																																																																																																									
SYMBOL	DESCRIPTION	SYMBOL	DESCRIPTION																																																																																																																																																																																																																																																																																																																																																																																																																																																																																																																															
	PANEL OR DEVICE WIRING		DEVICE OR EQUIPMENT TERMINAL																																																																																																																																																																																																																																																																																																																																																																																																																																																																																																																															
	FIELD WIRING		WIRING CONNECTED																																																																																																																																																																																																																																																																																																																																																																																																																																																																																																																															
	EQUIPMENT/DEVICE ENCLOSURE		BUS																																																																																																																																																																																																																																																																																																																																																																																																																																																																																																																															
	WIRING CONNECTED		WIRING																																																																																																																																																																																																																																																																																																																																																																																																																																																																																																																															
	WIRING NOT CONNECTED		EQUIPMENT/DEVICE ENCLOSURE																																																																																																																																																																																																																																																																																																																																																																																																																																																																																																																															
	DEVICE OR EQUIPMENT TERMINAL		PLUG-IN CONNECTION																																																																																																																																																																																																																																																																																																																																																																																																																																																																																																																															
	CONTROL PANEL TERMINAL		NON-AUTOMATIC BREAKER																																																																																																																																																																																																																																																																																																																																																																																																																																																																																																																															
	MOTOR CONTROLLER TERMINAL		THERMAL MAGNETIC CIRCUIT BREAKER																																																																																																																																																																																																																																																																																																																																																																																																																																																																																																																															
	TRANSFORMER WINDING		MAGNETIC ONLY CIRCUIT BREAKER (MOTOR CIRCUIT PROTECTOR)																																																																																																																																																																																																																																																																																																																																																																																																																																																																																																																															
	FUSE		SWITCH																																																																																																																																																																																																																																																																																																																																																																																																																																																																																																																															
	GROUND		CONTACTOR																																																																																																																																																																																																																																																																																																																																																																																																																																																																																																																															
	ARC SUPPRESSOR (METAL OXIDE VARISTOR)		THERMAL OVERLOAD																																																																																																																																																																																																																																																																																																																																																																																																																																																																																																																															
	DIODE		FUSE																																																																																																																																																																																																																																																																																																																																																																																																																																																																																																																															
CONTACTBLOCK OPERATORS			POWER TRANSFORMER																																																																																																																																																																																																																																																																																																																																																																																																																																																																																																																															
	"HAND OFF AUTO" GROUND SELECTOR SWITCH (1SS,2SS,ETC.) "X" = CLOSED IN THIS POSITION		CONTROL POWER TRANSFORMER																																																																																																																																																																																																																																																																																																																																																																																																																																																																																																																															
	"OFF-ON" OFF-ON SELECTOR SWITCH (1SS,2SS,ETC.) "X" = CLOSED IN THIS POSITION ARROW POSITION DENOTES OPEN/CLOSED STATUS (SHOWN IN "OPEN" POSITION)		CURRENT TRANSFORMER																																																																																																																																																																																																																																																																																																																																																																																																																																																																																																																															
	"RESET OFF ON" SELECTOR SWITCH (1SS,2SS,ETC.) "X" = CLOSED IN THIS POSITION "O" = SPRING RETURN (FROM "RESET" TO "OFF" POSITION AS SHOWN)		GROUND CONNECTION																																																																																																																																																																																																																																																																																																																																																																																																																																																																																																																															
CONTACTS			TRANSFER SWITCH																																																																																																																																																																																																																																																																																																																																																																																																																																																																																																																															
	N.O. SINGLE BREAK CONTACTS		WATT-HOUR METER (REVENUE METERING)																																																																																																																																																																																																																																																																																																																																																																																																																																																																																																																															
	N.C. DOUBLE BREAK CONTACTS (CONTACT BLOCKS)		VOLTAGE RELAY																																																																																																																																																																																																																																																																																																																																																																																																																																																																																																																															
RELAY CONTACTS			GENERATOR																																																																																																																																																																																																																																																																																																																																																																																																																																																																																																																															
	N.O. INSTANTANEOUS CONTACT OF RELAY (1CR, 2CR, ETC.)		TAP BLOCK																																																																																																																																																																																																																																																																																																																																																																																																																																																																																																																															
	N.C. INSTANTANEOUS CONTACT OF RELAY (1CR, 2CR, ETC.)		SOLID NEUTRAL																																																																																																																																																																																																																																																																																																																																																																																																																																																																																																																															
	XXCR TIMED DELAY CONTACT OF RELAY (DELAY ON ENERGIZATION-ON DELAY) (1TR, 2TR, ETC.)		MOTOR																																																																																																																																																																																																																																																																																																																																																																																																																																																																																																																															
	XXTR TIMED DELAY CONTACT OF RELAY (DELAY ON DE-ENERGIZATION-OFF DELAY) (1TR, 2TR, ETC.)		LIMIT SWITCH																																																																																																																																																																																																																																																																																																																																																																																																																																																																																																																															
	XXOL OVERLOAD RELAY (1OL, 2OL, ETC.)		FLOAT SWITCH																																																																																																																																																																																																																																																																																																																																																																																																																																																																																																																															
MECHANICALLY ACTUATED SWITCHES			PRESSURE SWITCH																																																																																																																																																																																																																																																																																																																																																																																																																																																																																																																															
	N.O. PRESSURE SWITCH (1PS, 2PS, ETC.)		THERMOSTAT/TEMPERATURE SWITCH																																																																																																																																																																																																																																																																																																																																																																																																																																																																																																																															
	N.C. PRESSURE SWITCH (1PS, 2PS, ETC.)		SOLENOID VALVE																																																																																																																																																																																																																																																																																																																																																																																																																																																																																																																															
	XXTAS TEMPERATURE ACTUATED SWITCH (THERMOSTAT) (1TAS, 2TAS, ETC.)		CONTROL STATION/PUSHBUTTON/ SPEED POTENTIOMETER																																																																																																																																																																																																																																																																																																																																																																																																																																																																																																																															
	XXLS FREE LIMIT SWITCHES (1LS, 2LS, ETC.)		LOAD BREAK FUSE HOLDER AND FUSE																																																																																																																																																																																																																																																																																																																																																																																																																																																																																																																															
	XXLS HELD LIMIT SWITCHES (1LS, 2LS, ETC.)		SAFETY DISCONNECT (NEMA 4X ENCLOSURE UNLESS OTHERWISE NOTED)																																																																																																																																																																																																																																																																																																																																																																																																																																																																																																																															
MAGNETIC COILS			AUXILIARY CONTACT NON-SWITCHED CONDUCTOR																																																																																																																																																																																																																																																																																																																																																																																																																																																																																																																															
	XXCR CONTROL RELAY (1CR, 2CR, ETC.)		LENS COLOR CODE A = AMBER G = GREEN R = RED W = WHITE Y = YELLOW																																																																																																																																																																																																																																																																																																																																																																																																																																																																																																																															
	XXTR TIMED DELAY RELAY (1CR, 2CR, ETC.)		LED TYPE (1LT, 2LT, ETC.)																																																																																																																																																																																																																																																																																																																																																																																																																																																																																																																															
	XXM MAGNETIC CONTACTOR (1CON, 2CON, ETC.)		LED "PUSH-TO-TEST" (CONNECT TEST CIRCUIT TO LINE) (1LT, 2LT, ETC.)																																																																																																																																																																																																																																																																																																																																																																																																																																																																																																																															
	XXS SOLENOID (1SV, 2SV, ETC.) (FOR VALVE UNLESS OTHERWISE NOTED)																																																																																																																																																																																																																																																																																																																																																																																																																																																																																																																																	
	CP-1LT LED "PUSH-TO-TEST" (CONNECT TEST CIRCUIT TO LINE) (1LT, 2LT, ETC.)																																																																																																																																																																																																																																																																																																																																																																																																																																																																																																																																	
SYMBOL	DESCRIPTION																																																																																																																																																																																																																																																																																																																																																																																																																																																																																																																																	
	DEVICE OR EQUIPMENT TERMINAL																																																																																																																																																																																																																																																																																																																																																																																																																																																																																																																																	
	WIRING CONNECTED																																																																																																																																																																																																																																																																																																																																																																																																																																																																																																																																	
	BUS																																																																																																																																																																																																																																																																																																																																																																																																																																																																																																																																	
	WIRING																																																																																																																																																																																																																																																																																																																																																																																																																																																																																																																																	
	EQUIPMENT/DEVICE ENCLOSURE																																																																																																																																																																																																																																																																																																																																																																																																																																																																																																																																	
	PLUG-IN CONNECTION																																																																																																																																																																																																																																																																																																																																																																																																																																																																																																																																	
	NON-AUTOMATIC BREAKER																																																																																																																																																																																																																																																																																																																																																																																																																																																																																																																																	
	THERMAL MAGNETIC CIRCUIT BREAKER																																																																																																																																																																																																																																																																																																																																																																																																																																																																																																																																	
	MAGNETIC ONLY CIRCUIT BREAKER (MOTOR CIRCUIT PROTECTOR)																																																																																																																																																																																																																																																																																																																																																																																																																																																																																																																																	
	SWITCH																																																																																																																																																																																																																																																																																																																																																																																																																																																																																																																																	
	CONTACTOR																																																																																																																																																																																																																																																																																																																																																																																																																																																																																																																																	
	THERMAL OVERLOAD																																																																																																																																																																																																																																																																																																																																																																																																																																																																																																																																	
	FUSE																																																																																																																																																																																																																																																																																																																																																																																																																																																																																																																																	
	POWER TRANSFORMER																																																																																																																																																																																																																																																																																																																																																																																																																																																																																																																																	
	CONTROL POWER TRANSFORMER																																																																																																																																																																																																																																																																																																																																																																																																																																																																																																																																	
	CURRENT TRANSFORMER																																																																																																																																																																																																																																																																																																																																																																																																																																																																																																																																	
	GROUND CONNECTION																																																																																																																																																																																																																																																																																																																																																																																																																																																																																																																																	
	TRANSFER SWITCH																																																																																																																																																																																																																																																																																																																																																																																																																																																																																																																																	
	WATT-HOUR METER (REVENUE METERING)																																																																																																																																																																																																																																																																																																																																																																																																																																																																																																																																	
	VOLTAGE RELAY																																																																																																																																																																																																																																																																																																																																																																																																																																																																																																																																	
	GENERATOR																																																																																																																																																																																																																																																																																																																																																																																																																																																																																																																																	
	TAP BLOCK																																																																																																																																																																																																																																																																																																																																																																																																																																																																																																																																	
	SOLID NEUTRAL																																																																																																																																																																																																																																																																																																																																																																																																																																																																																																																																	
	MOTOR																																																																																																																																																																																																																																																																																																																																																																																																																																																																																																																																	
	LIMIT SWITCH																																																																																																																																																																																																																																																																																																																																																																																																																																																																																																																																	
	FLOAT SWITCH																																																																																																																																																																																																																																																																																																																																																																																																																																																																																																																																	
	PRESSURE SWITCH																																																																																																																																																																																																																																																																																																																																																																																																																																																																																																																																	
	THERMOSTAT/TEMPERATURE SWITCH																																																																																																																																																																																																																																																																																																																																																																																																																																																																																																																																	
	SOLENOID VALVE																																																																																																																																																																																																																																																																																																																																																																																																																																																																																																																																	
	CONTROL STATION/PUSHBUTTON/ SPEED POTENTIOMETER																																																																																																																																																																																																																																																																																																																																																																																																																																																																																																																																	
	LOAD BREAK FUSE HOLDER AND FUSE																																																																																																																																																																																																																																																																																																																																																																																																																																																																																																																																	
	SAFETY DISCONNECT (NEMA 4X ENCLOSURE UNLESS OTHERWISE NOTED)																																																																																																																																																																																																																																																																																																																																																																																																																																																																																																																																	
	AUXILIARY CONTACT NON-SWITCHED CONDUCTOR																																																																																																																																																																																																																																																																																																																																																																																																																																																																																																																																	
POWER DISTRIBUTION AND CONTROL																																																																																																																																																																																																																																																																																																																																																																																																																																																																																																																																		
	DISTRIBUTION/CONTROL EQUIPMENT - FLOOR MOUNTED																																																																																																																																																																																																																																																																																																																																																																																																																																																																																																																																	
	DISTRIBUTION/CONTROL EQUIPMENT - WALL MOUNTED																																																																																																																																																																																																																																																																																																																																																																																																																																																																																																																																	
	PANELBOARD - WALL MOUNTED																																																																																																																																																																																																																																																																																																																																																																																																																																																																																																																																	
	SWITCH (SAFETY OR DISCONNECT) MOTOR STARTER WITH SWITCH OR BREAKER (COMBINATION MAGNETIC STARTER)																																																																																																																																																																																																																																																																																																																																																																																																																																																																																																																																	
LIGHTING FIXTURES																																																																																																																																																																																																																																																																																																																																																																																																																																																																																																																																		
	ROUND FIXTURE CEILING MOUNTED (RECESSED, SURFACE, OR PENDANT)																																																																																																																																																																																																																																																																																																																																																																																																																																																																																																																																	
	LIGHTING FIXTURE POLE ARM MOUNTED																																																																																																																																																																																																																																																																																																																																																																																																																																																																																																																																	
	LIGHTING FIXTURE POLE TOP MOUNTED																																																																																																																																																																																																																																																																																																																																																																																																																																																																																																																																	
	FIXTURE WALL MOUNTED (RECESSED, SURFACE OR ARM)																																																																																																																																																																																																																																																																																																																																																																																																																																																																																																																																	
	FLUORESCENT LED LINEAR FIXTURE CEILING MOUNTED (RECESSED, SURFACE OR PENDANT)																																																																																																																																																																																																																																																																																																																																																																																																																																																																																																																																	
	EXIT LIGHT FIXTURE																																																																																																																																																																																																																																																																																																																																																																																																																																																																																																																																	
SWITCHING																																																																																																																																																																																																																																																																																																																																																																																																																																																																																																																																		
	SINGLE POLE SWITCH - WALL MOUNTED DESIGNATIONS																																																																																																																																																																																																																																																																																																																																																																																																																																																																																																																																	
E	EXISTING SWITCH																																																																																																																																																																																																																																																																																																																																																																																																																																																																																																																																	
M	MOTOR RATED SWITCH																																																																																																																																																																																																																																																																																																																																																																																																																																																																																																																																	
3	THREE WAY SWITCH																																																																																																																																																																																																																																																																																																																																																																																																																																																																																																																																	
P	SWITCH W/ PILOT LIGHT																																																																																																																																																																																																																																																																																																																																																																																																																																																																																																																																	
4	FOUR WAY SWITCH																																																																																																																																																																																																																																																																																																																																																																																																																																																																																																																																	
T	TIME SWITCH																																																																																																																																																																																																																																																																																																																																																																																																																																																																																																																																	
K	KEY OPERATED SWITCH																																																																																																																																																																																																																																																																																																																																																																																																																																																																																																																																	
a	LOWER CASE = SWITCH LEG																																																																																																																																																																																																																																																																																																																																																																																																																																																																																																																																	
ANY COMBINATION OF THE ABOVE DESIGNATIONS MAY BE SHOWN ON PLANS																																																																																																																																																																																																																																																																																																																																																																																																																																																																																																																																		
RECEPTACLE OUTLETS																																																																																																																																																																																																																																																																																																																																																																																																																																																																																																																																		
	DUPLEX RECEPTACLE OUTLET - WALL MOUNTED (NEMA 5-15R UNLESS OTHERWISE SPECIFIED)																																																																																																																																																																																																																																																																																																																																																																																																																																																																																																																																	
	DUPLEX RECEPTACLE OUTLET - WALL MOUNTED (NEMA 5-15R UNLESS OTHERWISE SPECIFIED)																																																																																																																																																																																																																																																																																																																																																																																																																																																																																																																																	
	DUPLEX RECEPTACLE OUTLET - CEILING MOUNTED (NEMA 5-15R UNLESS OTHERWISE SPECIFIED)																																																																																																																																																																																																																																																																																																																																																																																																																																																																																																																																	
	SPECIAL PURPOSE RECEPTACLE OUTLET																																																																																																																																																																																																																																																																																																																																																																																																																																																																																																																																	
	SPECIAL PURPOSE RECEPTACLE OUTLET - WALL MOUNTED																																																																																																																																																																																																																																																																																																																																																																																																																																																																																																																																	
SPECIAL PURPOSE CONNECTIONS																																																																																																																																																																																																																																																																																																																																																																																																																																																																																																																																		
	SPECIAL PURPOSE EQUIPMENT CONNECTION																																																																																																																																																																																																																																																																																																																																																																																																																																																																																																																																	
	SPECIAL PURPOSE EQUIPMENT CONNECTION - WALL MOUNTED																																																																																																																																																																																																																																																																																																																																																																																																																																																																																																																																	
MECHANICALLY ACTUATED SWITCHES																																																																																																																																																																																																																																																																																																																																																																																																																																																																																																																																		
	FLOAT SWITCH																																																																																																																																																																																																																																																																																																																																																																																																																																																																																																																																	
	LEVEL TRANSDUCER																																																																																																																																																																																																																																																																																																																																																																																																																																																																																																																																	
	PRESSURE SWITCH																																																																																																																																																																																																																																																																																																																																																																																																																																																																																																																																	
	PHOTO ELECTRIC SWITCH (PHOTOCELL) - WALL MOUNTED																																																																																																																																																																																																																																																																																																																																																																																																																																																																																																																																	
	LIMIT SWITCH																																																																																																																																																																																																																																																																																																																																																																																																																																																																																																																																	
GENERAL WIRING SYMBOLS																																																																																																																																																																																																																																																																																																																																																																																																																																																																																																																																		
	JUNCTION BOX																																																																																																																																																																																																																																																																																																																																																																																																																																																																																																																																	
	JUNCTION BOX - WALL MOUNTED																																																																																																																																																																																																																																																																																																																																																																																																																																																																																																																																	
	WIRING RUN EXPOSED ON BUILDING OR STRUCTURE UNLESS OTHERWISE NOTED ON DRAWINGS																																																																																																																																																																																																																																																																																																																																																																																																																																																																																																																																	
	WIRING RUN CONCEALED UNDER SLAB OR BELOW GRADE UNLESS OTHERWISE NOTED ON DRAWINGS																																																																																																																																																																																																																																																																																																																																																																																																																																																																																																																																	
	INDICATES WIRE SIZE IF OTHER THAN #12AWG																																																																																																																																																																																																																																																																																																																																																																																																																																																																																																																																	
	CROSSMARKS INDICATE QUANTITY AND USE OF CONDUCTORS																																																																																																																																																																																																																																																																																																																																																																																																																																																																																																																																	
	NEUTRAL CONDUCTOR																																																																																																																																																																																																																																																																																																																																																																																																																																																																																																																																	
	GROUNDING CONDUCTOR																																																																																																																																																																																																																																																																																																																																																																																																																																																																																																																																	
	ARROWHEAD INDICATES HOMERUN TO EQUIPMENT/DEVICE NOTED AT END OF ARROWHEAD, NUMBER (WHERE NOTED) INDICATES CIRCUIT WITHIN EQUIPMENT/DEVICE NOTED.																																																																																																																																																																																																																																																																																																																																																																																																																																																																																																																																	
	CONDUIT TURN UP																																																																																																																																																																																																																																																																																																																																																																																																																																																																																																																																	
	CONDUIT TURN DOWN																																																																																																																																																																																																																																																																																																																																																																																																																																																																																																																																	



2803 River Road
Yakima, WA 98902
509.966.7000
Fax 509.965.3800
www.hlacivil.com



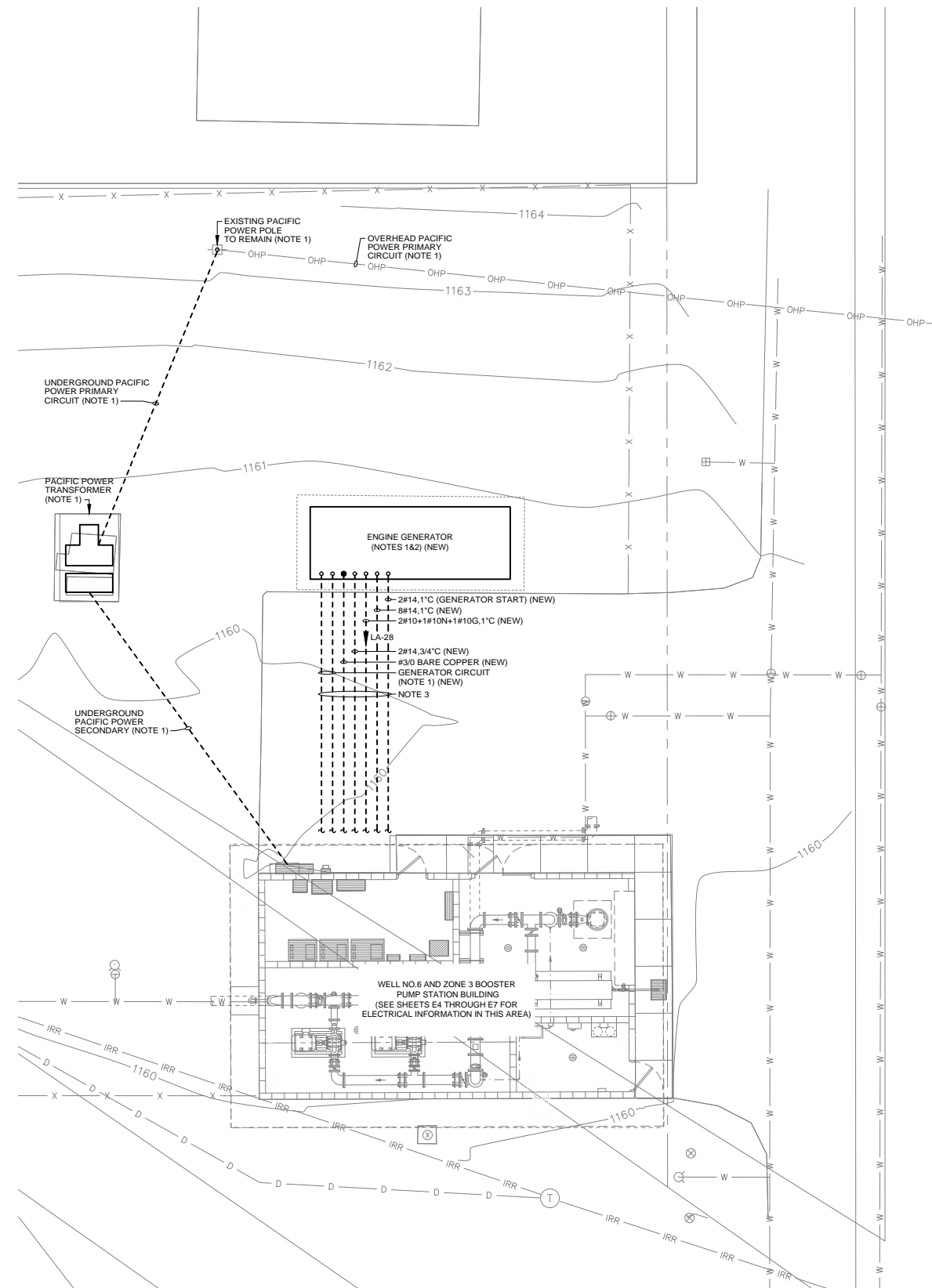
REVISION	DATE

JOB NUMBER: 24067	DATE: 2-17-2025
FILE NAMES: DRAWING: 24067E-01	
DESIGNED BY: ENTERED BY:	MLO CJD,MLO

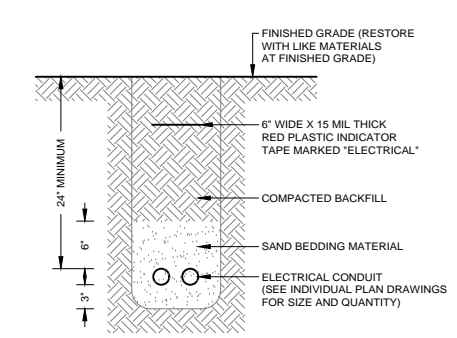
CITY OF SELAH
WELL NO.6 PUMP AND ZONE 3 BOOSTER
PUMP STATION GENERATOR
 ELECTRICAL SYMBOL SCHEDULES

DRAWING E1
SHEET 3 OF 10

- NOTES:
1. SEE ONE LINE DIAGRAM SHEET E3 FOR CIRCUIT AND EQUIPMENT INFORMATION.
 2. COORDINATE GENERATOR CONDUIT STUB UP LOCATIONS WITH GENERATOR MANUFACTURER'S CONDUIT LOCATION INFORMATION PRIOR TO CONDUIT INSTALLATION.
 3. SEE DETAIL 1/E2 THIS SHEET FOR TRENCHING INFORMATION.



ELECTRICAL SITE PLAN
SCALE: 1/8" = 1'-0"



DETAIL 1/E2
TRENCH FOR ELECTRICAL CIRCUITS
SECONDARY POWER OR SIGNAL CIRCUITS
SCALE: NONE

HLA
Engineering and Land Surveying, Inc.

2803 River Road
Yakima, WA 98902
509.966.7000
Fax 509.965.3800
www.hlacivil.com

REVISION	DATE

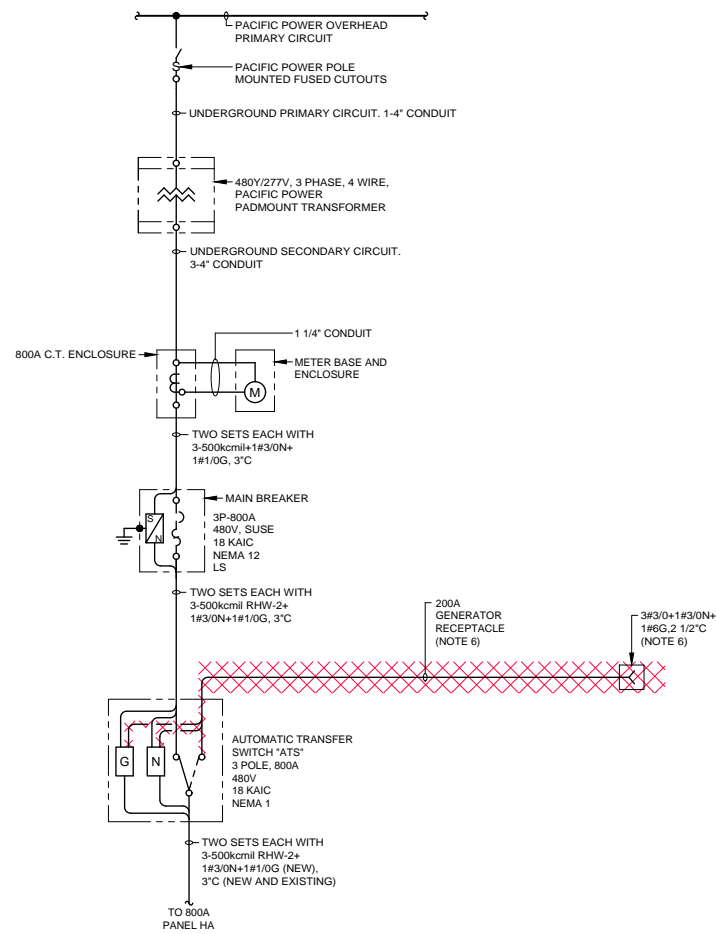
JOB NUMBER: 24067	DATE: 2-17-2025
FILE NAMES: DRAWING: 24067E-02	
DESIGNED BY: ENTERED BY:	MLO CJD, MLO

CITY OF SELAH
WELL NO. 6 PUMP AND ZONE 3 BOOSTER
PUMP STATION GENERATOR

ELECTRICAL SITE PLAN

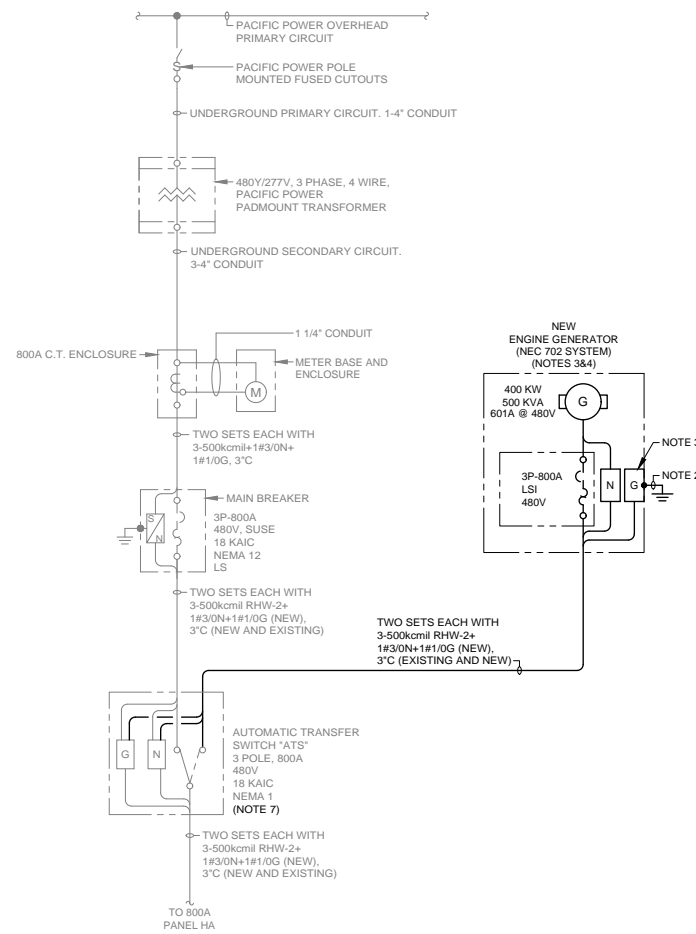
DRAWING
E2

SHEET
4 OF 10



**EXISTING/DEMOLITION ONE LINE DIAGRAM
WELL NO.6 AND ZONE 3 BOOSTER PUMP STATION**

SCALE: NONE
(NOTE 1)



**MODIFIED ONE LINE DIAGRAM
WELL NO.6 AND ZONE 3 BOOSTER PUMP STATION**

SCALE: NONE
(NOTE 5)

NOTES:

- DEMOLISH EXISTING ELECTRICAL DEVICES SHOWN CROSS HATCHED IN RED ON THIS PLAN UNLESS OTHERWISE NOTED. REMOVE CONDUIT (EXCEPT CONCEALED OR UNDERGROUND CONDUIT AS NOTED BELOW), FITTINGS, HANGERS, CONDUCTORS, DEVICE/JUNCTION BOXES, AND OTHER SIMILAR ITEMS ASSOCIATED WITH ITEM NOTED, BACK TO NEXT DEVICE REMAINING ON THE CIRCUIT OR BACK TO THE PANEL FROM WHICH THE CIRCUIT ORIGINATES. WHERE DEVICE BEING REMOVED IS IN MIDDLE OF CIRCUIT, REPLACE/REPAIR CIRCUIT AS REQUIRED TO KEEP REMAINING DEVICES ON CIRCUIT IN OPERATION. ABANDON IN PLACE UNUSED CONDUITS CONCEALED IN SLAB, OR UNDERGROUND BELOW SLAB OR BELOW GRADE. CUT EXPOSED PORTION FLUSH WITH SLAB, OR 12" BELOW GRADE, AND PLUG WITH NON-SHRINK GROUT.
- SEE GROUNDING PLAN SHEET E5 FOR GROUNDING AND BONDING INFORMATION.
- NON-SEPARATELY DERIVED SYSTEM. DO NOT BOND NEUTRAL TO GROUND.
- GENERATOR IS PROVIDED BY OWNER AND INSTALLED BY CONTRACTOR.
- DEVICES AND EQUIPMENT SHOWN ON ONE LINE DIAGRAM ARE EXISTING UNLESS OTHERWISE NOTED.
- DEMOLISH CONDUCTORS BETWEEN AUTOMATIC TRANSFER SWITCH AND RECEPTACLE. DEMOLISH RECEPTACLE. PRESERVE CONDUIT AND RECEPTACLE DEVICE BOX. PROVIDE BLANK COVERPLATE WITH GASKET TO MAINTAIN NEMA 3R RATING.
- PROVIDE THE SERVICES OF THE MANUFACTURER'S FACTORY EMPLOYED TECHNICIAN FOR REPROGRAMMING OF TRANSFER SWITCH. TECHNICIAN SHALL PROGRAM THE TRANSFER SWITCH TO PERFORM AUTOMATIC TRANSFER TO GENERATOR UPON UTILITY POWER LOSS, TO PERFORM RETRANSFER TO UTILITY WHEN NORMAL VOLTAGE RETURNS, AND SCHEDULED GENERATOR EXERCISING CYCLES. PROGRAM GENERATOR COOL DOWN TIME THAT IS RECOMMENDED BY THE GENERATOR MANUFACTURER. PROGRAM TRANSFER SWITCH WITH THE FOLLOWING DELAY TIMES:
 DELAY TRANSFER TO GENERATOR 6 SECONDS
 DELAY IN NEUTRAL POSITION 10 SECONDS
 RETRANSFER TO UTILITY 15 MINUTES
 TECHNICIAN SHALL TEST OPERATION OF TRANSFER SWITCH, AUTOMATIC TRANSFER TO GENERATOR, RETRANSFER TO UTILITY, AND GENERATOR EXERCISE CYCLE.

2R-125A Main Breaker
Surface Mounted
Indoor Enclosure with Lockable Door
30KAC

**CIRCUIT BREAKER
PANELBOARD SCHEDULE
Panel LA**

Client: HLA
No 24067E
Revision: 2/17/25
Section 1 of 1

Ckt. #	Demand Type	LOAD DESCRIPTION	Breaker Type	Wire Size	Circuit KVA (AMPS)	KVA, (AMPS)		Circuit KVA (AMPS)	Wire Size	Breaker Type	LOAD DESCRIPTION	Demand Type	Ckt. #
						A	B						
1	Light	Interior Lighting	1P-20A	#12	0.51 (4.27)	1.11 (9.27)	0.39	0.80 (5.00)	#12	1P-20A	Emergency Control Panel	Misc. Cont.	2
3	Light	Exterior Lighting	1P-20A	#12	0.21 (1.75)	3	0.36 (3.00)	0.18 (1.50)	#12	1P-20A	Chlorine Scale Receptacle	Misc. N-Cont.	4
5	Rec.	Building Receptacles	1P-20A	#12	0.54 (4.50)	5	0.90 (7.50)	0.36 (3.00)	#12	1P-20A	Building Receptacles	Rec.	6
7	Rec.	Building Receptacles	1P-20A	#12	0.54 (4.50)	7	0.90 (7.50)	0.36 (3.00)	#12	1P-20A	Building Receptacles	Rec.	8
9	N-Cont.	Exhaust Fan & Louver	1P-20A	#12	5.00 (5.00)	9	7.50 (7.50)	2.50 (2.50)	#12	1P-20A	Ex. Fan, Motor, Louver	Motor	10
11	N-Cont.	Chlorine Gas Feeder	1P-20A	#12	0.80 (5.00)	11	0.72 (6.00)	0.12 (1.00)	#12	1P-20A	Chlorine Detector	Misc. Cont.	12
13	Misc. Cont.	Flow meter No. 1	1P-20A	#12	0.12 (1.00)	13	3.84 (32.00)	7.44 (61.00)	#8	2P-40A	HVAC Unit	HVAC	14
15	Misc. Cont.	Flow meter No. 2	1P-20A	#12	0.12 (1.00)	15	4.20 (35.00)	8.40 (70.00)	#8	2P-40A	HVAC Unit	HVAC	18
17	N-Cont.	Doserander Purge Valve	1P-20A	#12	4.00 (4.00)	17	4.20 (35.00)	7.44 (61.00)	#8	2P-40A	HVAC Unit	HVAC	22
19	Rec.	Irrigation Controller Receptacle	1P-20A	#12	0.24 (2.00)	19	3.96 (33.00)	7.44 (61.00)	#8	2P-40A	Generator Load Center	Misc. N-Cont.	28
21	Spare		1P-20A			21					Space		22
23	Spare		1P-20A			23					Space		24
25	Spare		1P-20A			25					Space		26
27	Spare		1P-20A			27					Space		28
29	Spare		1P-20A			29					Space		30
					Amps	108.27	95.25						
					KVA	12.75	11.43						
					Total KVA	24.18							

HLA\24067E\Panel LA.xlsm

* DENOTES CIRCUIT BREAKER ADDED UNDER THIS PROJECT.

**DEMAND LOAD CALCULATION
Panel LA**

Revision: 2/17/25

Project: Selah Well No 6
Voltage: 240/120 Volt

No.24067E
1 Phase, 3 Wire

Location: Selah, WA

Section 1 of 1

Load Type	Connected Load (KVA)	Demand Factor	(KVA)
Lighting	0.72	x 1.25	= 0.90
Receptacles			
0 - 10 KVA	1.86	x 1	= 1.86
> 10 KVA		x 0.5	=
Motor			
Largest	0.30	x 1.25	= 0.38
Other		x 1	=
HVAC Equipment	14.88	x 1	= 14.88
Kitchen Equipment		x 1	=
Misc. Continuous	0.96	x 1.25	= 1.20
Misc. Non-Continuous	5.46	x 1	= 5.46
Total Connected Load:	24.18		Total Demand Load: 24.68
			Amperes: 102.8



2803 River Road
Yakima, WA 98902
509.966.7000
Fax 509.965.3800
www.hlacivil.com



REVISION	DATE

JOB NUMBER: 24067 DATE: 2-17-2025
FILE NAMES: DRAWING: 24067E-03
DESIGNED BY: MLO
ENTERED BY: CJD, MLO

**CITY OF SELAH
WELL NO.6 PUMP AND ZONE 3 BOOSTER
PUMP STATION GENERATOR**

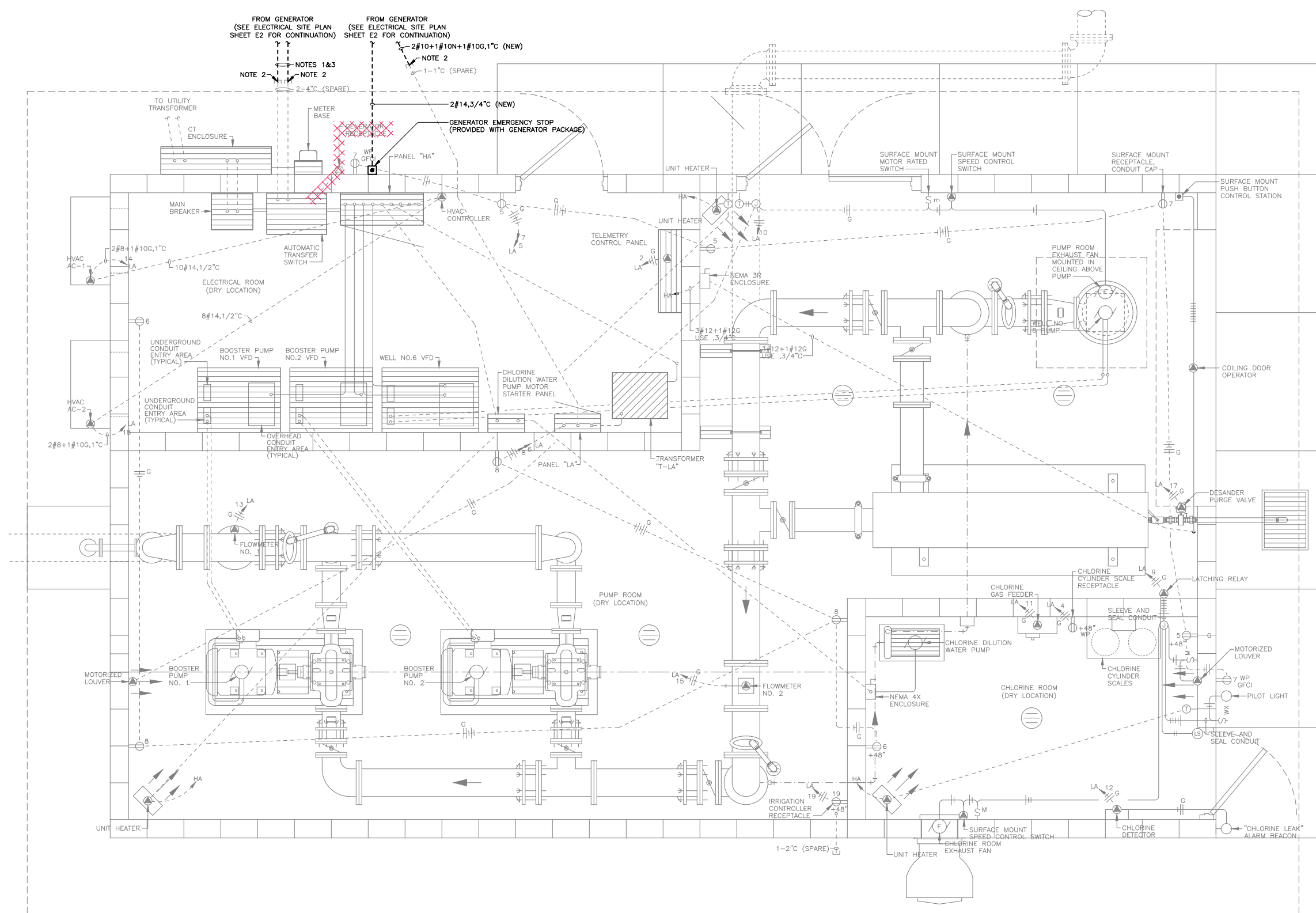
ONE LINE DIAGRAMS

DRAWING

E3

SHEET

5 OF 10



- NOTES:**
1. SEE ONE LINE DIAGRAM SHEET E3 FOR CIRCUIT AND EQUIPMENT INFORMATION.
 2. LOCATE EXISTING CONDUIT AND EXTEND AS INDICATED.
 3. SEE DETAIL 1/E2 FOR TRENCHING REQUIREMENTS.
 4. DEMOLISH EXISTING ELECTRICAL DEVICES SHOWN CROSS HATCHED IN RED ON THIS PLAN UNLESS OTHERWISE NOTED. REMOVE CONDUIT (EXCEPT CONCEALED OR UNDERGROUND CONDUIT AS NOTED BELOW), FITTINGS, HANGERS, CONDUCTORS, DEVICE/JUNCTION BOXES, AND OTHER SIMILAR ITEMS ASSOCIATED WITH ITEM NOTED, BACK TO NEXT DEVICE REMAINING ON THE CIRCUIT OR BACK TO THE PANEL FROM WHICH THE CIRCUIT ORIGINATES. WHERE DEVICE BEING REMOVED IS IN MIDDLE OF CIRCUIT, REPLACE/REPAIR CIRCUIT AS REQUIRED TO KEEP REMAINING DEVICES ON CIRCUIT IN OPERATION. ABANDON IN PLACE UNUSED CONDUITS CONCEALED IN SLAB, OR UNDERGROUND BELOW SLAP OR BELOW GRADE. CUT EXPOSED PORTION FLUSH WITH SLAB, OR 12" BELOW GRADE, AND PLUG WITH NON-SHRINK GROUT.

POWER PLAN
 SCALE: 1/2" = 1'-0"
 (NOTE 4)

HLA
 Engineering and Land Surveying, Inc.

2803 River Road
 Yakima, WA 98902
 509.966.7000
 Fax 509.965.3800
 www.hlacivil.com

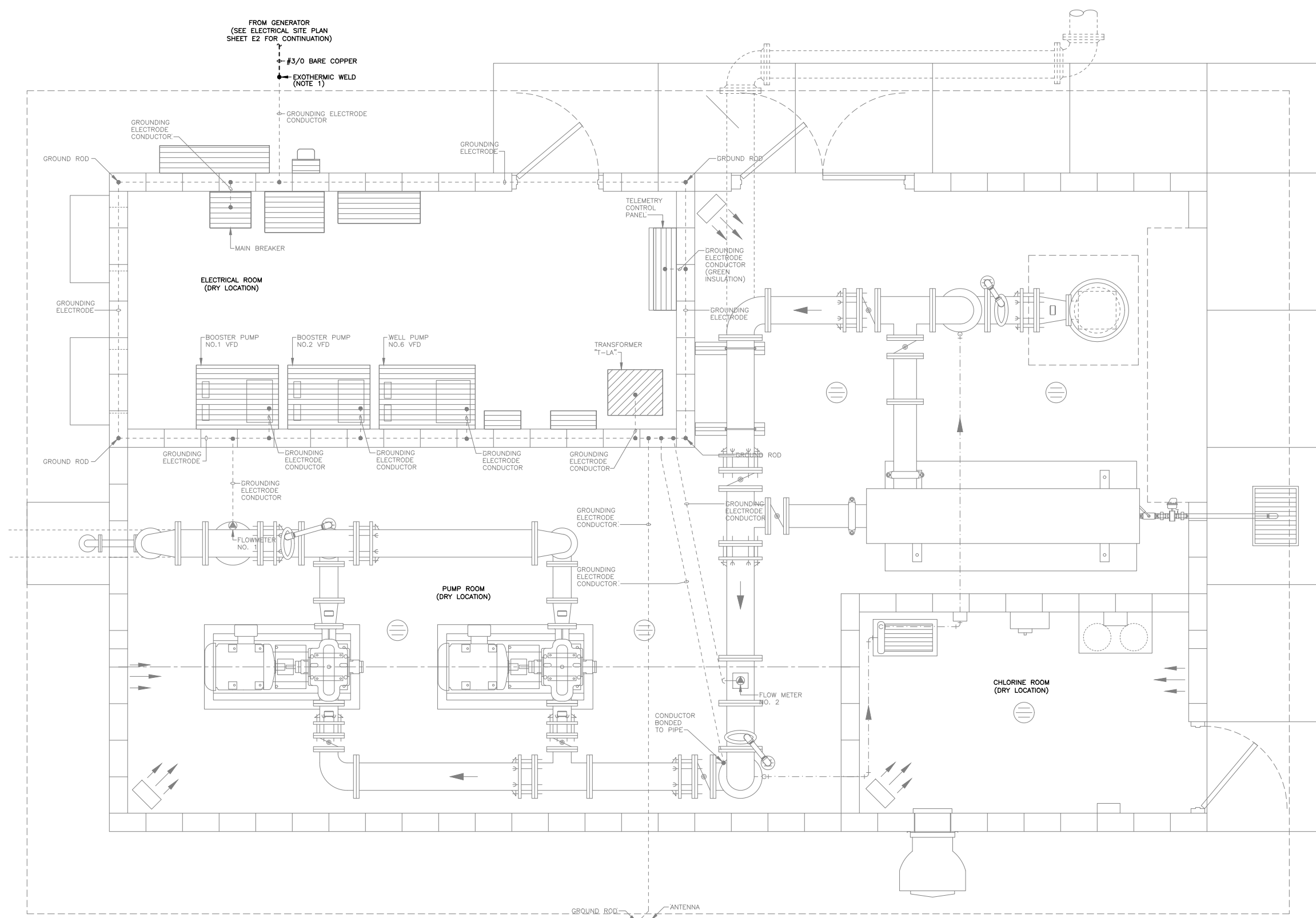


REVISION	DATE	JOB NUMBER: 24067	DATE: 2-17-2025
		FILE NAMES: DRAWING: 24067E-04	
		DESIGNED BY: MLO	
		ENTERED BY: CJD, MLO	

CITY OF SELAH
WELL NO.6 PUMP AND ZONE 3 BOOSTER
PUMP STATION GENERATOR

POWER PLAN

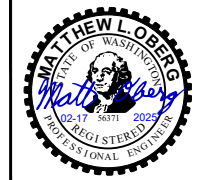
DRAWING
E4
 SHEET
 6 OF 10



GROUNDING PLAN
 SCALE: 1/2" = 1'-0"
 0 1'-0" 2'-0" 4'-0"
 N
 W E
 S

NOTES:
 1. LOCATE EXISTING CONDUCTOR AND EXTEND AS INDICATED.

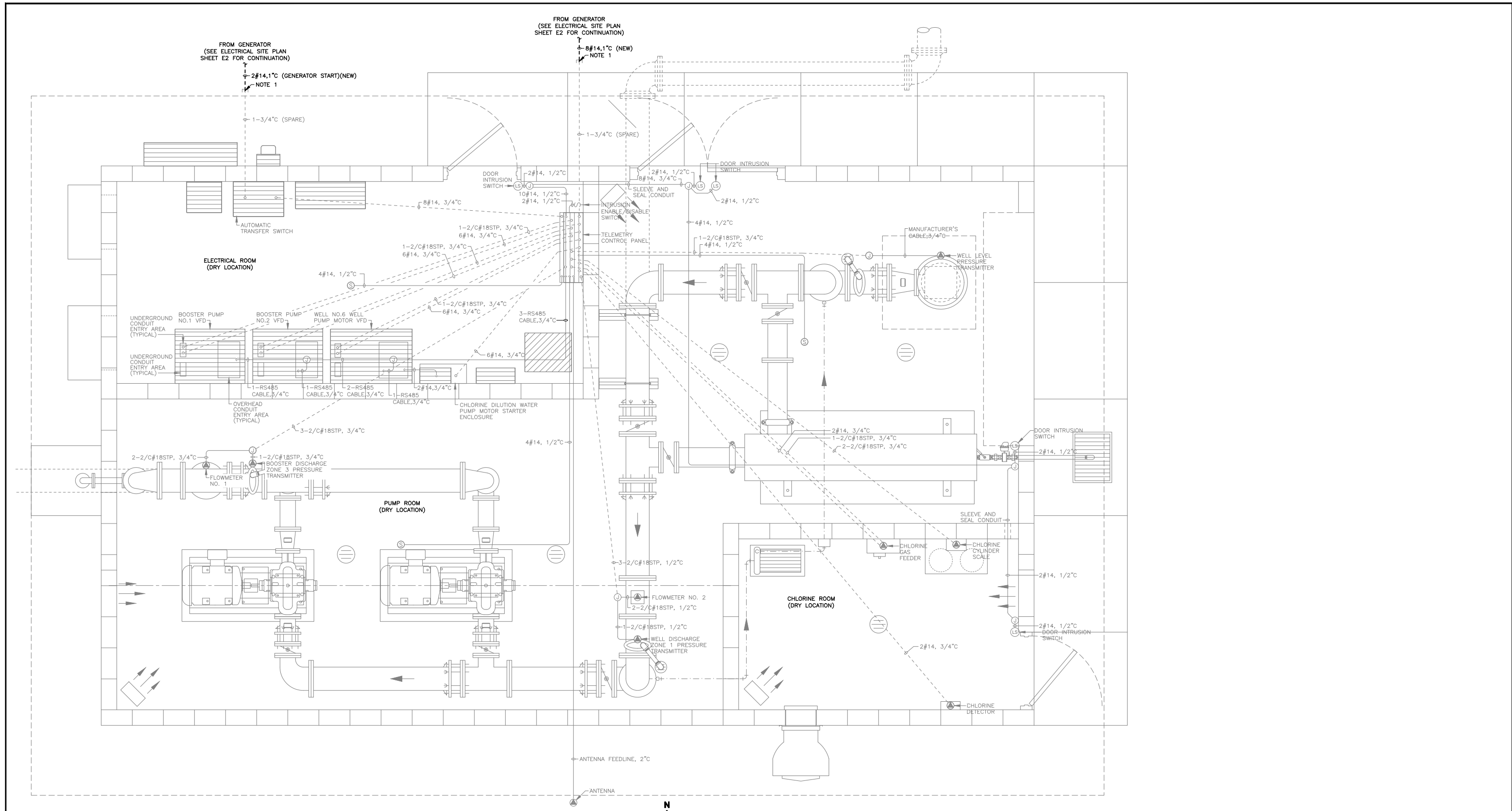
HLA
 Engineering and Land Surveying, Inc.
 2803 River Road
 Yakima, WA 98902
 509.966.7000
 Fax 509.965.3800
 www.hlacivil.com



REVISION	DATE

JOB NUMBER: 24067	DATE: 2-17-2025
FILE NAMES: DRAWING: 24067E-05	
DESIGNED BY: ENTERED BY:	MLO CJD,MLO

CITY OF SELAH
 WELL NO.6 PUMP AND ZONE 3 BOOSTER
 PUMP STATION GENERATOR
 GROUNDING PLAN

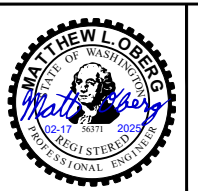


INSTRUMENTATION PLAN
 SCALE: 1/2" = 1'-0"
 0 1'-0" 2'-0" 4'-0"
 N
 W E
 S

- NOTES:**
1. LOCATE EXISTING CONDUIT AND EXTEND AS INDICATED.
 2. SEE DETAIL 1/E3 FOR TRENCHING REQUIREMENTS.

HLA
 Engineering and Land Surveying, Inc.

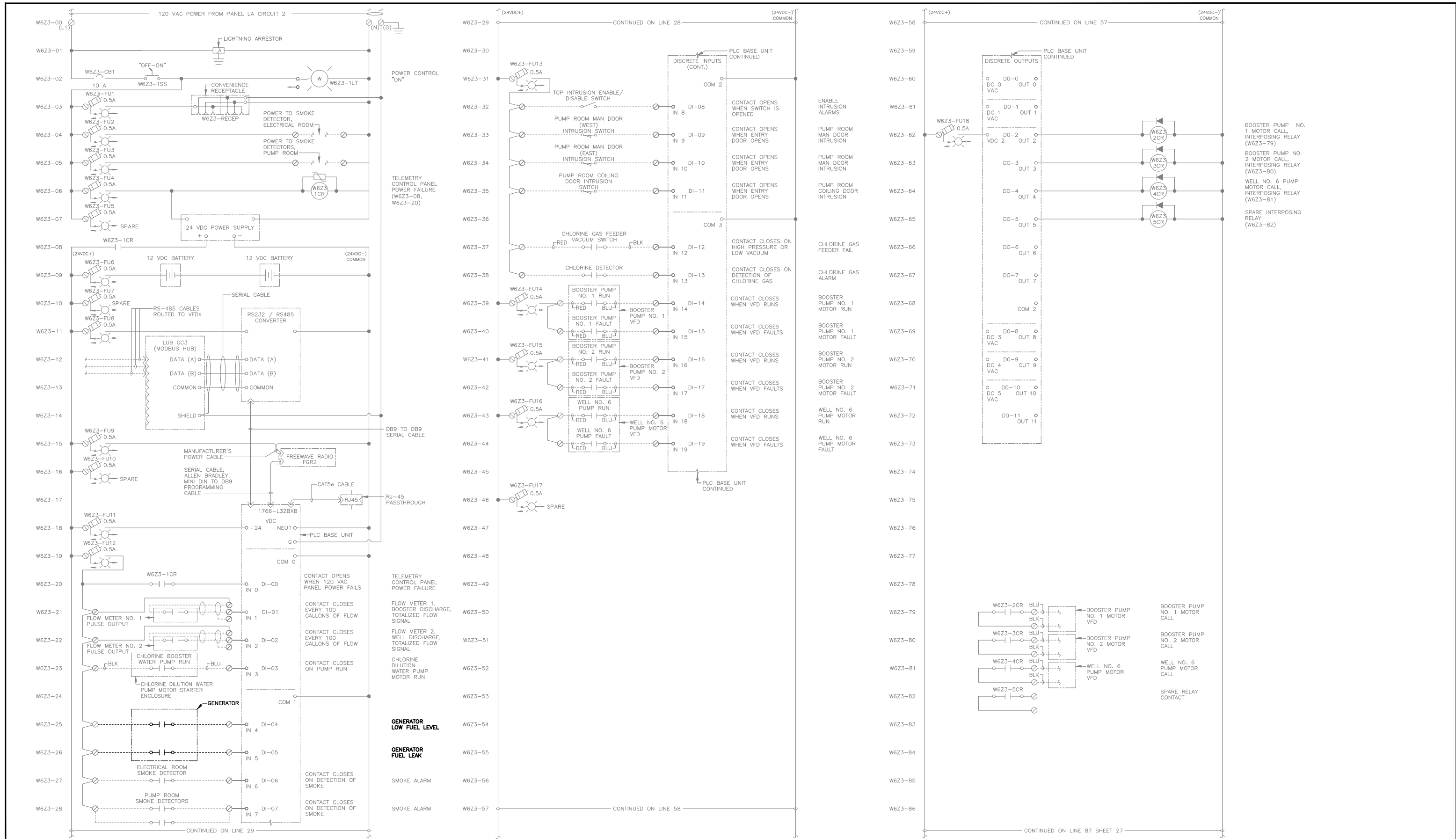
2803 River Road
 Yakima, WA 98902
 509.966.7000
 Fax 509.965.3800
 www.hlacivil.com

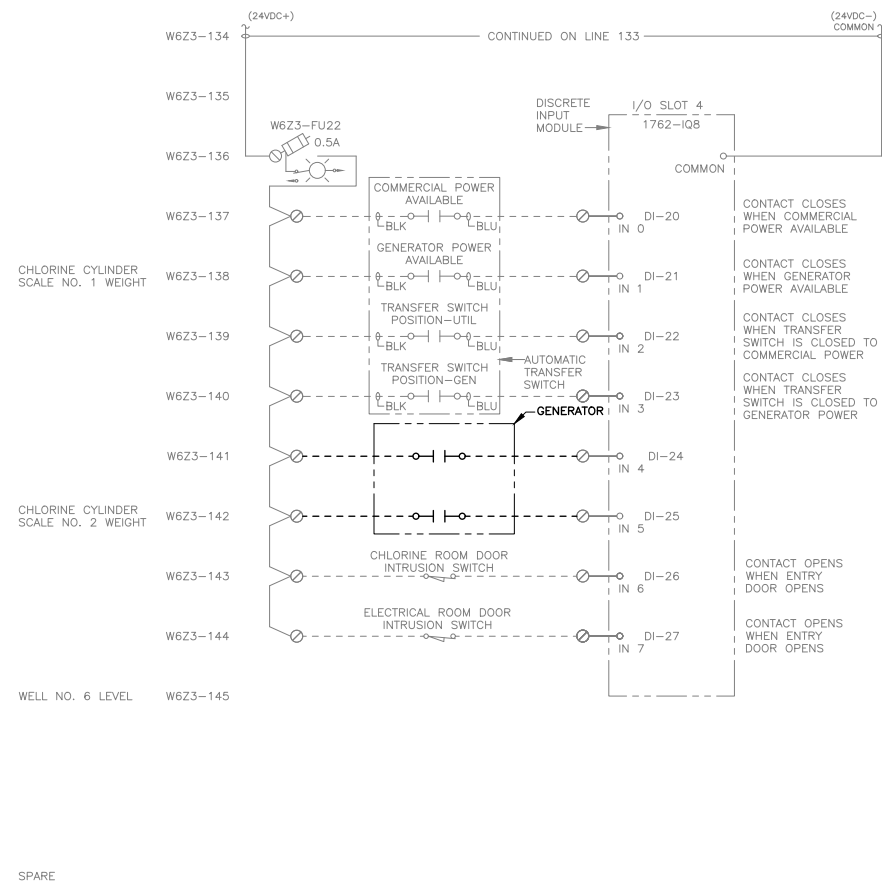
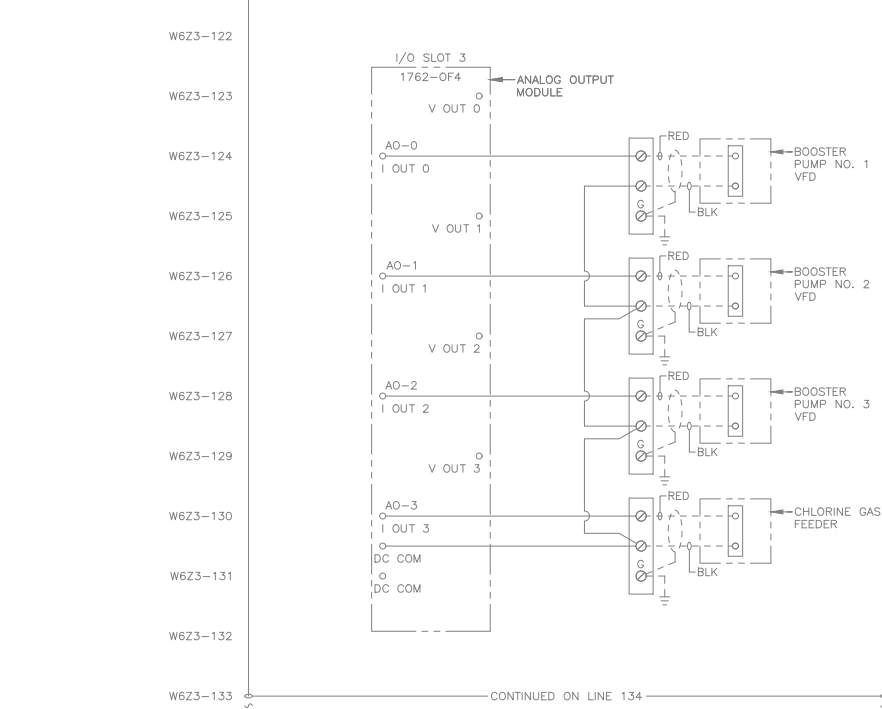
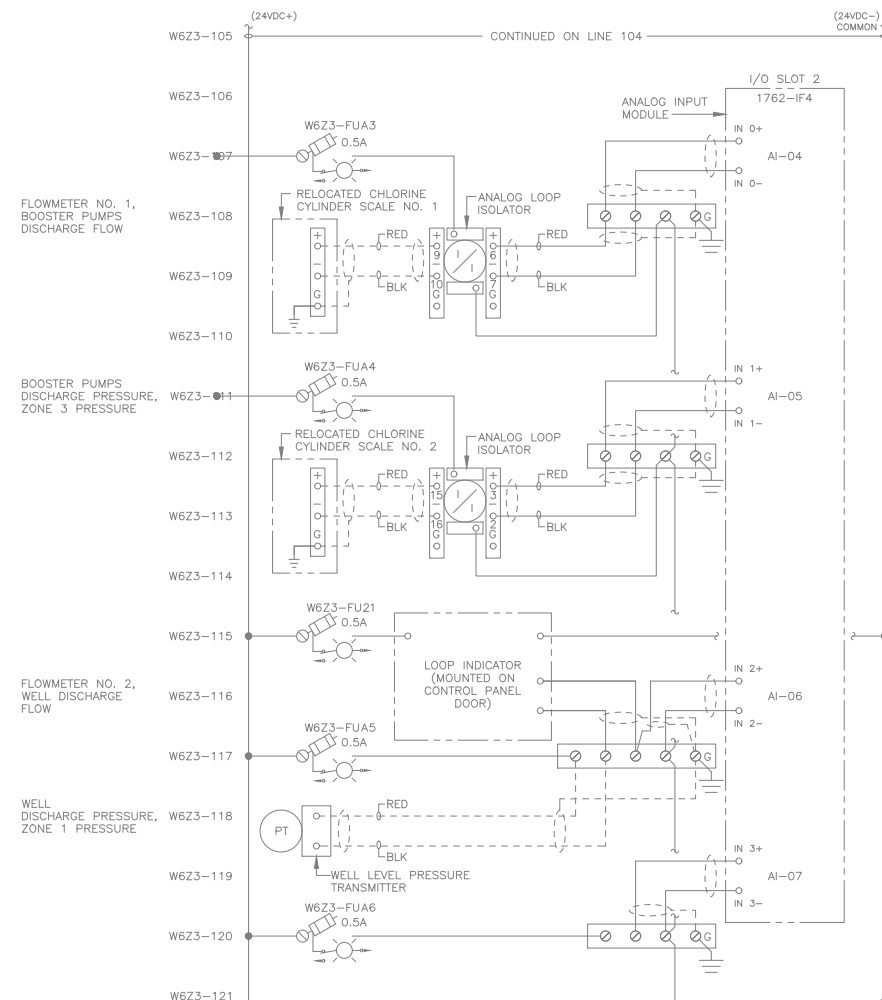
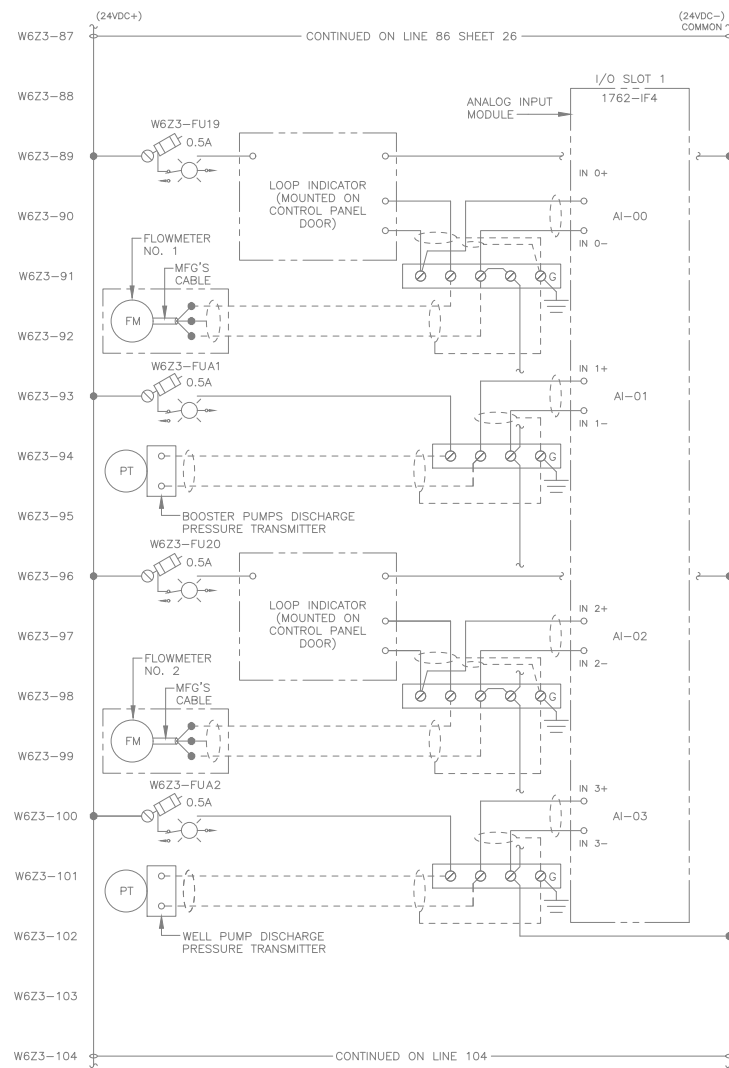


		JOB NUMBER: 24067	DATE: 2-17-2025
		FILE NAMES: DRAWING: 24067E-06	
		DESIGNED BY: ENTERED BY:	MLO CJD, MLO
REVISION		DATE	

CITY OF SELAH
WELL NO.6 PUMP AND ZONE 3 BOOSTER PUMP STATION GENERATOR

INSTRUMENTATION PLAN





2803 River Road
Yakima, WA 98902
509.966.7000
Fax 509.965.3800
www.hlacivil.com



REVISION	DATE

JOB NUMBER: 24067	DATE: 2-17-2025
FILE NAMES: DRAWING: 24067E-08	
DESIGNED BY: ENTERED BY:	MLO CJD,MLO

CITY OF SELAH
WELL NO.6 PUMP AND ZONE 3 BOOSTER
PUMP STATION GENERATOR

TCP ELEMENTARY WIRING DIAGRAM

DRAWING
E8
SHEET
10 OF 10